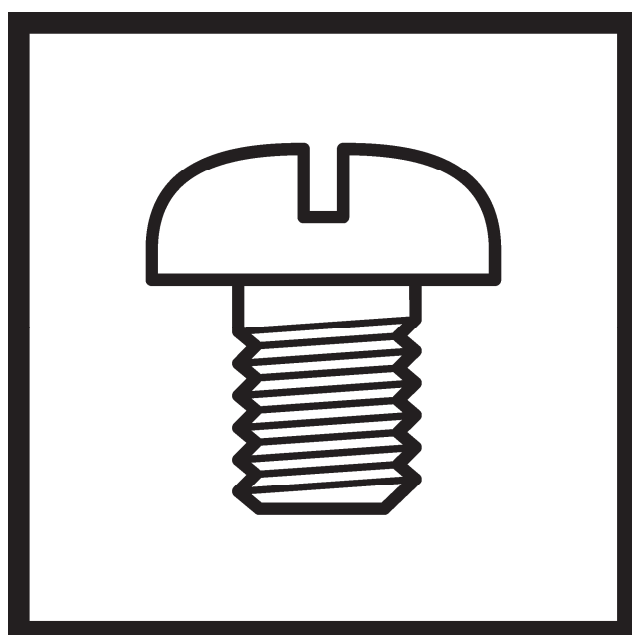


ST-880B

直驱式电脑平缝锁眼机

ELECTRONIC DIRECT DRIVE LOCKSTITCH BUTTON HOLER



零件手册的使用说明

1. 本手册是根据截止至2014年8月的资料为基准而编制的。
2. 零部件设计若有变动，恕不另行通知。
3. 以组件为单位供应的零部件是用虚线框出。
4. 零件图册中数字(REF.NO)右上角带有“+”号的零件属多规格零件，详细请见零件清单。

目 录

A. 机体部分	1
B. 针杆和挑线杆装置	3
C. 上轴装置	5
D. 针摆装置	7
E. 紧急停车装置	9
F. 压脚装置	11
G. 送料装置	13
H. 切刀装置	15
J. 断线传感器装置	17
K. 旋梭装置	19
L. 下轴装置	21
M. 供油润滑装置	23
N. 穿线装置	27
P. 绕线装置	31
Q. 面线剪切装置	33
R. 底线剪切装置	35
S1. 控制箱	39
S2. 控制箱	41
T. 电气部品	43
U. 操作盘	45
V. 马达装置	47
W. 附属装置（选购件）	49
Z. 附件	51
Ga1. 工模具一览表	55
Ga2. 工模具一览表	56
Ga3. 工模具一览表	57
Wa. 警告标签	58
索引	60

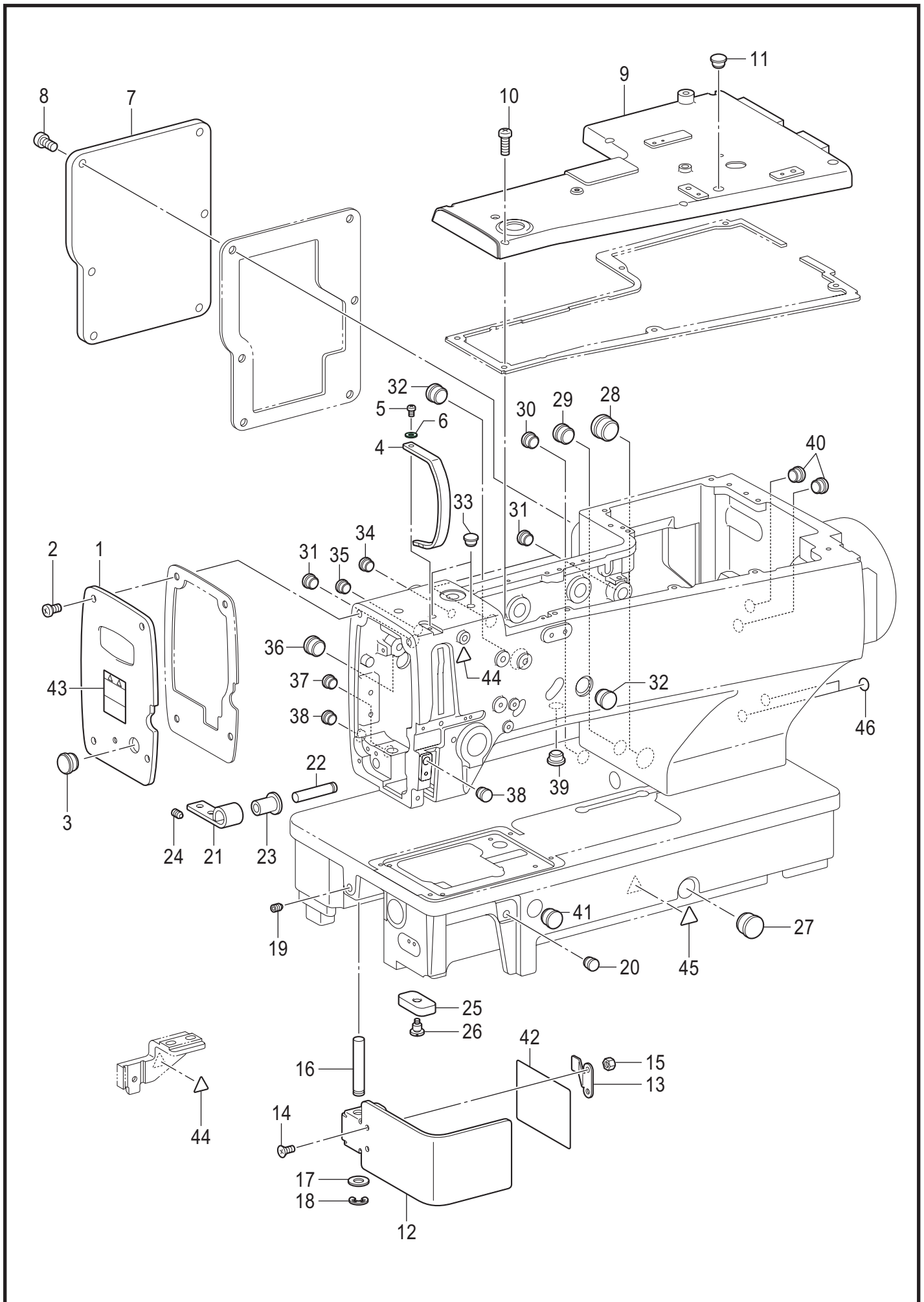
Notes for using this parts book

1. This book was prepared based on information available in August 2014.
2. Parts are subject to changes in design without prior notice.
3. Parts supplied as complete assemblies are circled by a dotted line.
4. The part which has the symbol "+" on its number (REF.NO) in the figure differs depending on the specification. For details, refer to the parts list.

CONTENTS

A. Machine body	1
B. Needle bar and thread take-up mechanism	3
C. Upper shaft mechanism	5
D. Zigzag mechanism	7
E. Emergency stop mechanism	9
F. Presser foot mechanism	11
G. Feed mechanism	13
H. Cutter mechanism	15
J. Thread breakage detector mechanism	17
K. Rotary hook mechanism	19
L. Lower shaft mechanism	21
M. Lubrication	23
N. Threading mechanism	27
P. Bobbin winder mechanism	31
Q. Upper thread trimmer mechanism	33
R. Lower thread trimmer mechanism	35
S1. Control box	39
S2. Control box	41
T. Power supply equipment	43
U. Operation panel	45
V. Motor mechanism	47
W. Attachment set (Option parts)	49
Z. Accessories	51
Ga1. Gauge parts list	55
Ga2. Gauge parts list	56
Ga3. Gauge parts list	57
Wa. Warning labels	58
Index	60

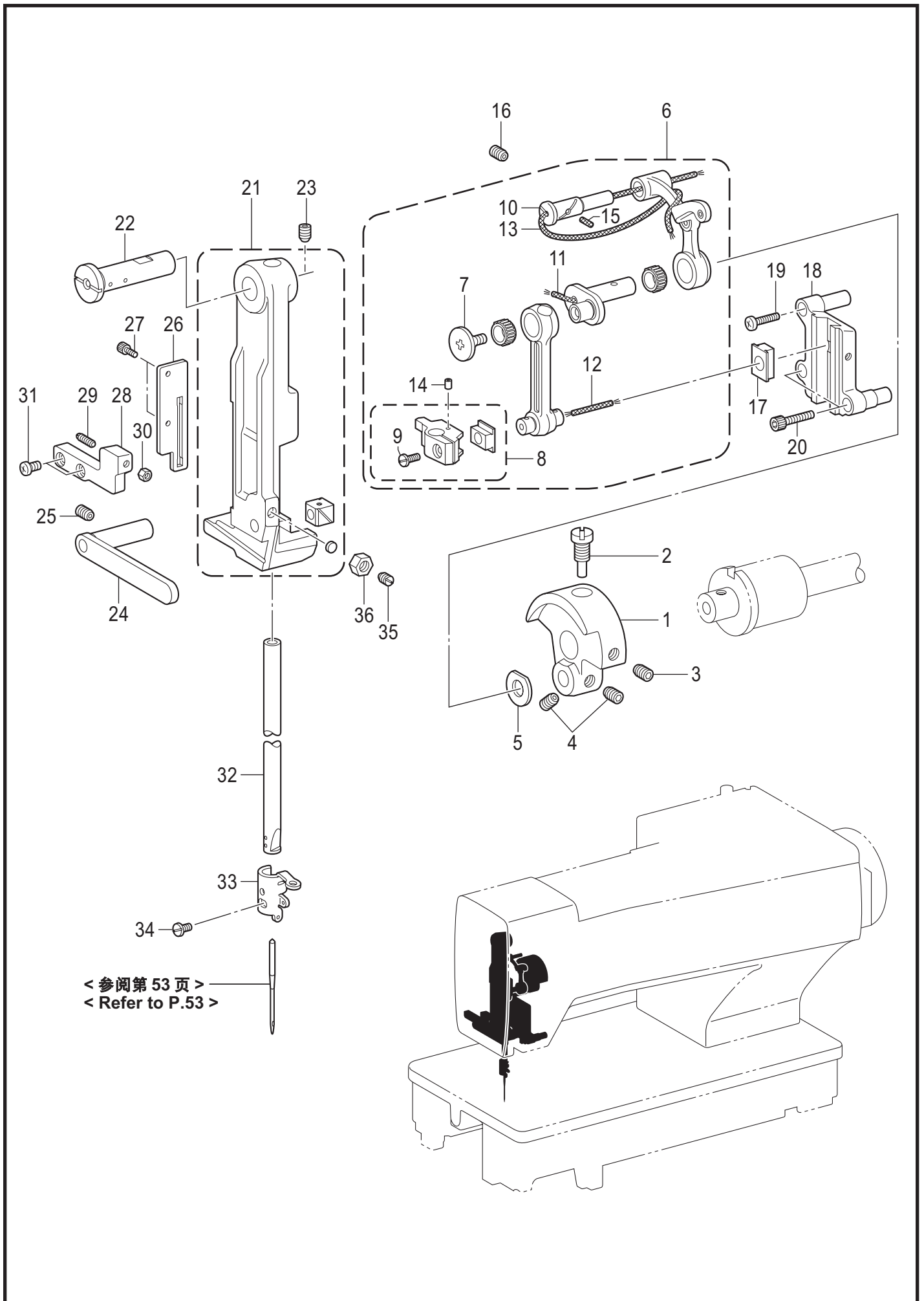
A. 机体部分 / Machine body



A. 机体部分 / Machine body

参照号	零部件序号	数量	零部件名称	NAME OF PARTS	RM
1	SB3695001	1	面板	FACE PLATE	
2	062711012	4	螺钉 SM4.76-32X10	SCREW PAN SM4.76-32X10	
3	104449001	1	橡皮塞 15.5	RUBBER CAP, 15.5	
4	SA4206102	1	挑线杆防护罩	THREAD TAKE-UP LEVER COVER	
5	062680612	1	螺钉 SM4.37-40X6	SCREW PAN SM4.37-40X6	
6	025680132	1	平垫圈 S4.37	WASHER PLAIN S SM4.37	
7	S50126002	1	侧板	REAR COVER	
8	062711012	6	螺钉 SM4.76-32X10	SCREW PAN SM4.76-32X10	
9	SB3766001	1	上盖	TOP COVER	
10	062711612	6	螺钉 SM4.76-32X16	SCREW PAN SM4.76-32X16	
11	104450101	1	橡皮塞 8	RUBBER CAP, 8	
12	S50128302	1	旋梭盖	ROTARY HOOK COVER	
13	S00306001	1	板弹簧	HINGE PLATE SPRING	
14	100032004	2	平头螺钉 SM4.37-40X8	SCREW FLAT SM4.37-40X8	
15	021680202	2	螺母 SM4.37-40	NUT 2 SM4.37-40	
16	158879101	1	轴	SHAFT R-HOOK COVER	
17	SB2356001	1	平垫圈 8	WASHER PLAIN S 8	
18	048060342	1	挡圈 E6	RETAINING RING E6	
19	014760632	1	螺钉 SM5.95-28X6	SET SCREW SOCKET SM5.95-28X6	
20	104450101	1	橡皮塞 8	RUBBER CAP, 8	
21	158830001	2	铰链	BED HINGE	
22	158831001	2	铰链销	PIN	
23	158832000	2	橡皮轴	PIN SUPPORT RUBBER	
24	014760632	2	螺钉 SM5.95-28X6	SET SCREW SOCKET SM5.95-28X6	
25	S50340000	2	底板座缓冲垫	BED BASE CUSHION	
26	120263001	2	轴位螺钉 SM4.37	SHOULDER SCREW,SM4.37	
27	159150000	1	橡皮塞 20.5	RUBBER CAP, 20.5	
28	159150000	1	橡皮塞 20.5	RUBBER CAP, 20.5	
29	104449001	1	橡皮塞 15.5	RUBBER CAP, 15.5	
30	117936001	1	橡皮塞 9.4	RUBBER CAP, 9.4	
31	S32263001	3	橡皮塞 8.5	RUBBER CAP, 8.5	
32	104449001	2	橡皮塞 15.5	RUBBER CAP, 15.5	
33	104450101	2	橡皮塞 8	RUBBER CAP, 8	
34	104450101	1	橡皮塞 8	RUBBER CAP, 8	
35	104450101	1	橡皮塞 8	RUBBER CAP, 8	
36	104449001	1	橡皮塞 15.5	RUBBER CAP, 15.5	
37	104450101	1	橡皮塞 8	RUBBER CAP, 8	
38	104450101	2	橡皮塞 8	RUBBER CAP, 8	
39	104450101	1	橡皮塞 8	RUBBER CAP, 8	
40	104450101	2	橡皮塞 8	RUBBER CAP, 8	
41	104449001	1	橡皮塞 15.5	RUBBER CAP, 15.5	
42	S50131001	1	穿线示图板	THREADING DIAGRAM	
43	SA9826001	1	操作注意标签	LABEL CAUTION	
44	SA9957001	2	警告标记	INJURY MARK	
45	SA9957002	1	警告标记	INJURY MARK	
46	S37060001	2	接地标记	LABEL, GROUNDING	

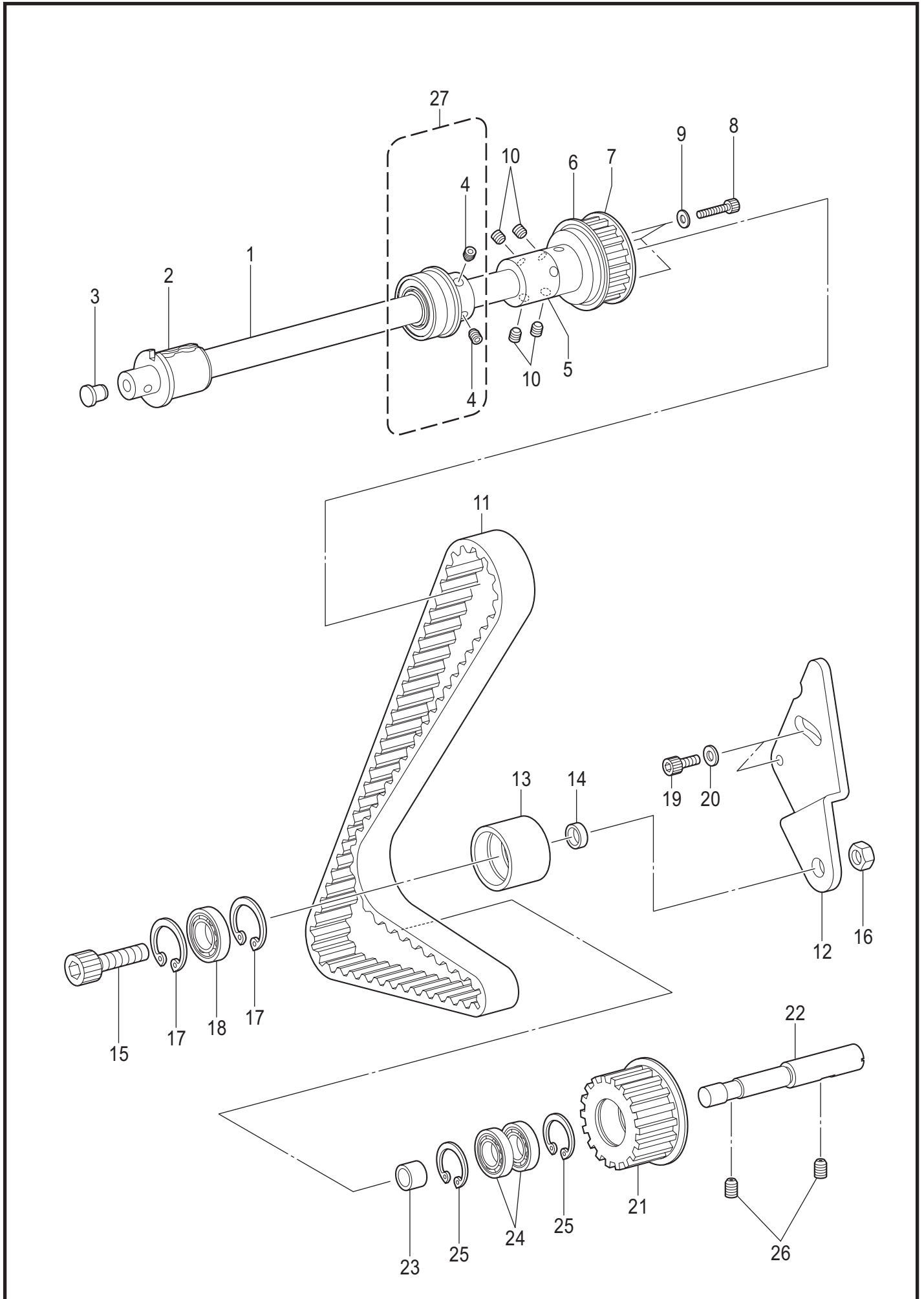
B. 针杆和挑线杆装置 / Needle bar and thread take-up mechanism



B. 针杆和挑线杆装置 / Needle bar and thread take-up mechanism

参照号	零部件序号	数量	零部件名称	NAME OF PARTS	RM
1	S50132000	1	挑线杆曲柄	THREAD TAKE-UP CRANK	
2	100250001	1	螺钉 SM7.14	SCREW, SM7.14	
3	014770632	1	螺钉 SM6.35-40X6	SET SCREW SOCKET SM6.35-40X6	
4	014770632	2	螺钉 SM6.35-40X6	SET SCREW SOCKET SM6.35-40X6	
5	110367001	1	垫圈 8	WASHER, PLAIN SPECIAL 8	
6	SA4047601	1	针杆连杆总组件	NEEDLE BAR CONNECTING ROD SET	
7	145465001	1	螺钉 SM3.57-40X6L	SCREW, SM3.57-40X6 L	
8	S50136101	1	针杆抱箍复合件	NEEDLE BAR CLAMP SET	
9	140004001	1	螺钉 SM3.57-40X7	SCREW, SM3.57-40X7	
10	S52943201	1	挑线支架轴	SUPPORT SHAFT	
11	140430001	1	油线 3X40	WICK, 3X40	
12	S50271000	1	油线 2X35	WICK, 2X35	
13	S50142000	1	油线 3X290	WICK, 3X290	
14	SB1539001	1	油毡	FELT	
15	SB1248001	1	油线 3X10	WICK 3X10	
16	014760632	1	螺钉 SM5.95-28X6	SET SCREW SOCKET SM5.95-28X6	
17	S52248001	1	针杆导向滑块	N-BAR BRACKET SLIDE BLOCK	
18	S50150001	1	针杆曲轴臂导向	CRANK ROD GUIDE	
19	S31808001	1	螺钉 SM4.37-40X25	SCREW, PAN SM4.37-40X25	
20	150382001	2	螺栓 SM4.37X18	BOLT, SOCKET SM4.37X18	
21	S50143001	1	针杆架总组件	NEEDLE BAR BRACKET SET	
22	158888001	1	针杆架支轴	N-BAR BASE SUPPORT SHAFT	
23	014760632	1	螺钉 SM5.95-28X6	SET SCREW SOCKET SM5.95-28X6	
24	S50147001	1	针杆架导向	NEEDLE BAR BASE GUIDE	
25	014760632	1	螺钉 SM5.95-28X6	SET SCREW SOCKET SM5.95-28X6	
26	S50152001	1	针杆导向	NEEDLE BAR GUIDE	
27	154965001	2	螺钉 SM3.57X8	BOLT, SOCKET SM3.57X8	
28	S50153201	1	针杆座定位	STOPPER	
29	153483001	1	螺钉 SM4.76	SET SCREW, SM4.76	
30	021710202	1	螺母 SM4.76-32	NUT 2 SM4.76-32	
31	062681012	2	螺钉 SM4.37-40X10	SCREW PAN SM4.37-40X10	
32	SA2921101	1	针杆	NEEDLE BAR	
33	S50149101	1	针杆线导向	NEEDLE BAR THREAD GUIDE	
34	140553102	1	固定螺钉 SM3.18	SET SCREW, SM3.18	
35	014761030	1	螺钉 SM5.95-28X10	SET SCREW SOCKET SM5.95-28X10	
36	100022005	1	螺母 SM5.95	NUT SM5.95	

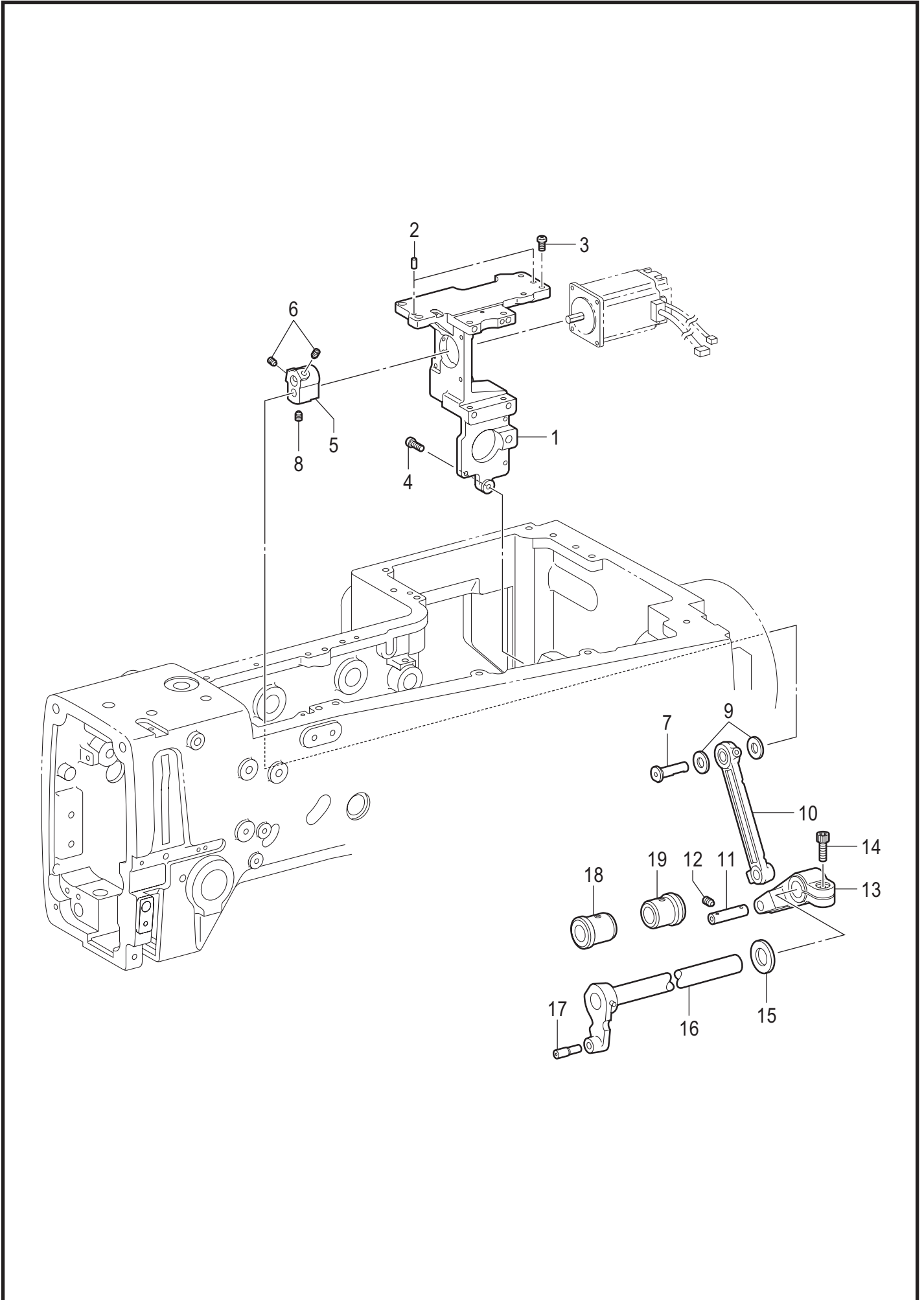
C. 上轴装置 / Upper shaft mechanism



C. 上轴装置 / Upper shaft mechanism

参照号	零部件序号	数量	零部件名称	NAME OF PARTS	RM
1	SB3685001	1	上轴	UPPER SHAFT	
2	SA4065001	1	上轴轴套 F	BUSH, F	
3	111865009	1	橡皮塞 6	CAP, 6	
4	S23651001	2	固定螺钉 M6X6	SET SCREW SOCKET (FT) M6X6	
5	SB3353001	1	接头	JOINT	
6	SB3355001	1	法兰盘 F	FLANGE	
7	SB3354001	1	同步轮U	TIMING PULLEY U	
8	018402036	3	螺栓 M4X20	BOLT SOCKET M4X20	
9	025040132	3	平垫圈 S4	WASHER PLAIN S 4	
10	S23651001	4	固定螺钉 M6X6	SET SCREW SOCKET (FT) M6X6	
11	S50161000	1	同步皮带	TIMMING BELT	
12	S50163001	1	张力轮靠板	TENSION PULLEY PLATE	
13	S50164001	1	张力轮	TENSION PULLEY	
14	S50165001	1	张力轮管套	COLLAR	
15	018102536	1	螺栓 M10X25	BOLT SOCKET M10X25	
16	021100302	1	螺母 M10	NUT 3 M10	
17	048300242	2	孔用挡圈 C30	RETAINING RING INTERNAL C30	
18	076200800	1	R球轴承 6200ZZ	BALL BEARING RADIAL 6200ZZ	
19	018061632	2	内六角螺栓 M6X16	BOLT SOCKET M6X16	
20	025060232	2	平垫圈 M6	WASHER PLAIN M 6	
21	SB3356001	1	空转轮	IDLER PULLEY	
22	S50167001	1	惰轮轴	SHAFT	
23	S50168001	1	惰轮管套	COLLAR	
24	070608800	2	R球轴承 608ZZ	BALL BEARING RADIAL 608ZZ	
25	048220242	2	孔用挡圈 C22	RETAINING RING INTERNAL C22	
26	014760632	2	螺钉 SM5.95-28X6	SET SCREW SOCKET SM5.95-28X6	
27	SB3687001	1	轴承轴套组件	BEARING BUSH ASSY	

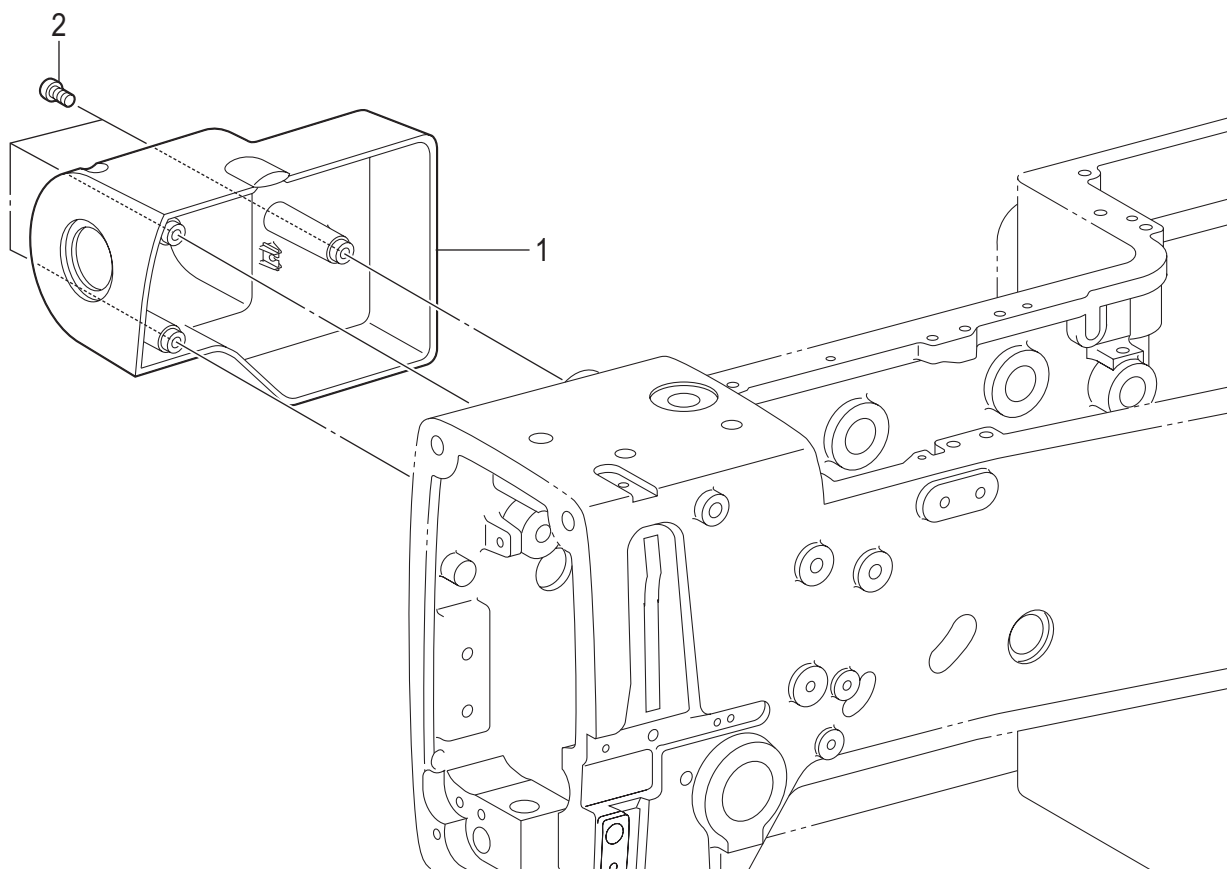
D. 针摆装置 / Zigzag mechanism



D. 针摆装置 / Zigzag mechanism

参照号	零部件序号	数量	零部件名称	NAME OF PARTS	RM
1	SB3809001	1	马达座	MOTOR BRACKET	
2	S37940001	2	定位销	POSITIONING PIN	
3	062711212	4	螺钉 SM4.76-32X12	SCREW PAN SM4.76-32X12	
4	062711612	1	螺钉 SM4.76-32X16	SCREW PAN SM4.76-32X16	
5	SB3699001	1	马达杠杆	MOTOR LEVER	
6	014760632	2	螺钉 SM5.95-28X6	SET SCREW SOCKET SM5.95-28X6	
7	S50171001	1	马达杆轴	MOTOR LEVER SHAFT	
8	014760632	1	螺钉 SM5.95-28X6	SET SCREW SOCKET SM5.95-28X6	
9	118735001	2	垫圈	WASHER	
10	SB3698001	1	针摆连杆组件	ZIGZAG CONNECTING ROD	
11	S51190001	1	针摆连杆轴	Z-CONNECTING ROD SHAFT	
12	014760632	1	螺钉 SM5.95-28X6	SET SCREW SOCKET SM5.95-28X6	
13	S50174001	1	针摆杠杆	ZIGZAG LEVER	
14	018062032	1	螺栓 M6X20	BOLT SOCKET M6X20	
15	S32521001	1	垫圈	WASHER, THRUST	
16	S50178001	1	针摆杠杆轴	Z-LEVER SHAFT	
17	159625001	1	滑块轴	STUD	
18	158945001	1	针摆轴套 F	BUSH, F ;Z-LEVER	
19	158946001	1	针摆轴套 R	BUSH, R ;Z-LEVER	

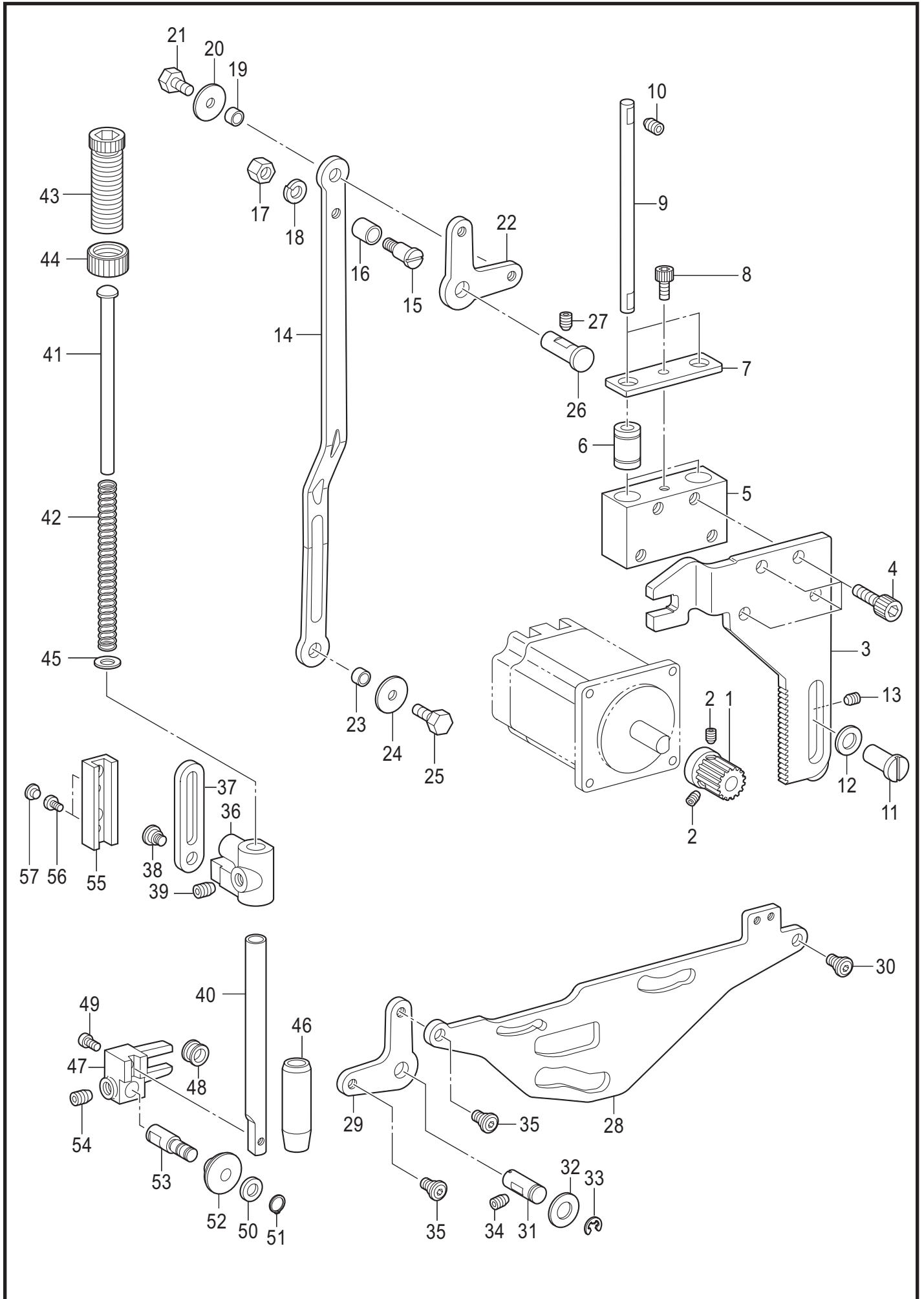
E. 紧急停车装置 / Emergency stop mechanism



E. 紧急停车装置 / Emergency stop mechanism

参照号	零部件序号	数量	零部件名称	NAME OF PARTS	RM
1	S50182002	1	紧急停止用盖	EMERGENCY STOP COVER	
2	062400816	3	螺钉 M4X8	SCREW PAN M4X8	

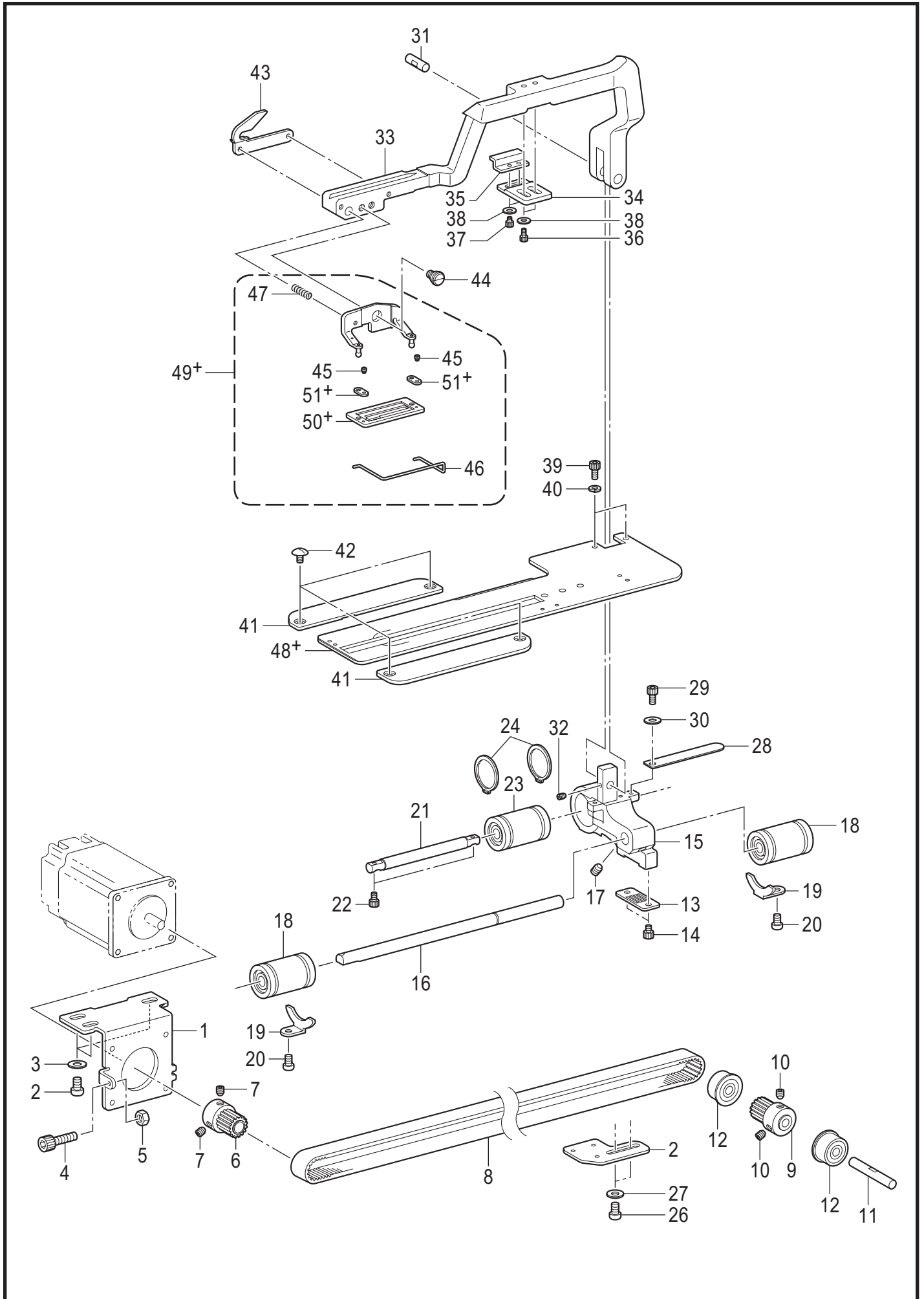
F. 压脚装置 / Presser foot mechanism



F. 压脚装置 / Presser foot mechanism

参照号	零部件序号	数量	零部件名称	NAME OF PARTS	RM
1	S43717301	1	驱动齿轮 15.75	GEAR 15.75	
2	014770632	2	螺钉 SM6.35-40X6	SET SCREW SOCKET SM6.35-40X6	
3	S50183101	1	压脚驱动臂	PRESSER DRIVING ARM	
4	018061032	4	螺栓 M6X10	BOLT SOCKET M6X10	
5	S50184001	1	压脚驱动导向体	GUIDE BRACKET	
6	S42116000	2	线性轴套	LINEAR BUSH	
7	S50185001	1	轴承压板	BEARING HOLDER	
8	018400832	1	内六角螺栓 M4X8	BOLT SOCKET M4X8	
9	S50186001	2	导向轴	GUIDE SHAFT	
10	014760632	4	螺钉 SM5.95-28X6	SET SCREW SOCKET SM5.95-28X6	
11	S50187001	1	驱动压臂	DRIVING ARM PRESSER	
12	110367001	1	垫圈 8	WASHER, PLAIN SPECIAL 8	
13	014760632	1	螺钉 SM5.95-28X6	SET SCREW SOCKET SM5.95-28X6	
14	S50189001	1	抬压脚连杆	P-LOFTER CONNECTING ROD	
15	S50190001	1	轴位螺钉	SHOULDER SCREW	
16	S50191001	1	连杆滚轮	ROLLER	
17	110161004	1	螺母 SM4.76	NUT SM4.76	
18	028050242	1	弹簧垫圈 2-5	WASHER SPRING 2-5	
19	S50192101	1	垫圈	SPACER	
20	SA3001001	1	垫圈 D	WASHER, PLAIN L 4.8 :D	
21	117363001	1	螺栓 SM4.76	BOLT, SM4.76	
22	S38761201	1	膝控杆	LIFTER LEVER KNEE	
23	S50192101	1	垫圈	SPACER	
24	SA3001001	1	垫圈 D	WASHER, PLAIN L 4.8 :D	
25	117363001	1	螺栓 SM4.76	BOLT, SM4.76	
26	S50193001	1	压脚杆轴A	LIFTER SHAFT, A	
27	014760632	1	螺钉 SM5.95-28X6	SET SCREW SOCKET SM5.95-28X6	
28	S50195001	1	上切线驱动联板	U-THREAD TRIMMER DRIVING LINK	
29	S38761201	1	膝控杆	LIFTER LEVER KNEE	
30	145478101	1	轴位螺钉 SM4.76	SHOULDER SCREW, SOCKET SM4.76	
31	S50196001	1	压脚杆轴	LIFTER SHAFT	
32	SB2356001	1	平垫圈 8	WASHER PLAIN S 8	
33	048060342	1	挡圈 E6	RETAINING RING E6	
34	014760632	1	螺钉 SM5.95-28X6	SET SCREW SOCKET SM5.95-28X6	
35	145478101	2	轴位螺钉 SM4.76	SHOULDER SCREW, SOCKET SM4.76	
36	S50198001	1	压杆抱箍	PRESSER BAR GUIDE BRACKET	
37	S50199101	1	压脚环板	PRESSER BAR LINK	
38	145478101	1	轴位螺钉 SM4.76	SHOULDER SCREW, SOCKET SM4.76	
39	014760632	1	螺钉 SM5.95-28X6	SET SCREW SOCKET SM5.95-28X6	
40	111466121	1	压紧杆	PRESSER BAR	
41	SA7607101	1	弹簧导杆	SPRING GUIDE	
42	S50200001	1	弹簧	PRESSER BAR SPRING	
43	S31012022	1	调压螺栓	PRESSER ADJUSTING SCREW	
44	S31013022	1	调压锁紧螺母	PRESSER ADJUSTING NUT	
45	140407001	1	垫圈	WASHER	
46	145472001	1	压紧杆轴套	PRESSER BAR BUSH	
47	S50201001	1	压脚滚轮台	P-BAR ROLLER BRACKET	
48	S50202001	1	支轴滚轮	ROLLER	
49	062671212	1	螺钉 SM3.57-40X12	SCREW PAN SM3.57-40X12	
50	025060132	1	平垫圈 S6	WASHER PLAIN S 6	
51	048060142	1	轴用挡圈 C6	RETAINING RING EXTERNAL C6	
52	S50203101	1	压脚滚轮	ROLLER	
53	S50204001	1	压脚滚轮轴	ROLLER SHAFT	
54	014760632	1	螺钉 SM5.95-28X6	SET SCREW SOCKET SM5.95-28X6	
55	S37927000	1	针杆导向	NEEDLE BAR GUIDE	
56	100242003	2	螺钉 SM3.57-40X5	SCREW, SM3.57-40X5	
57	155578000	2	橡皮塞7.2	RUBBER CAP, 7.2	

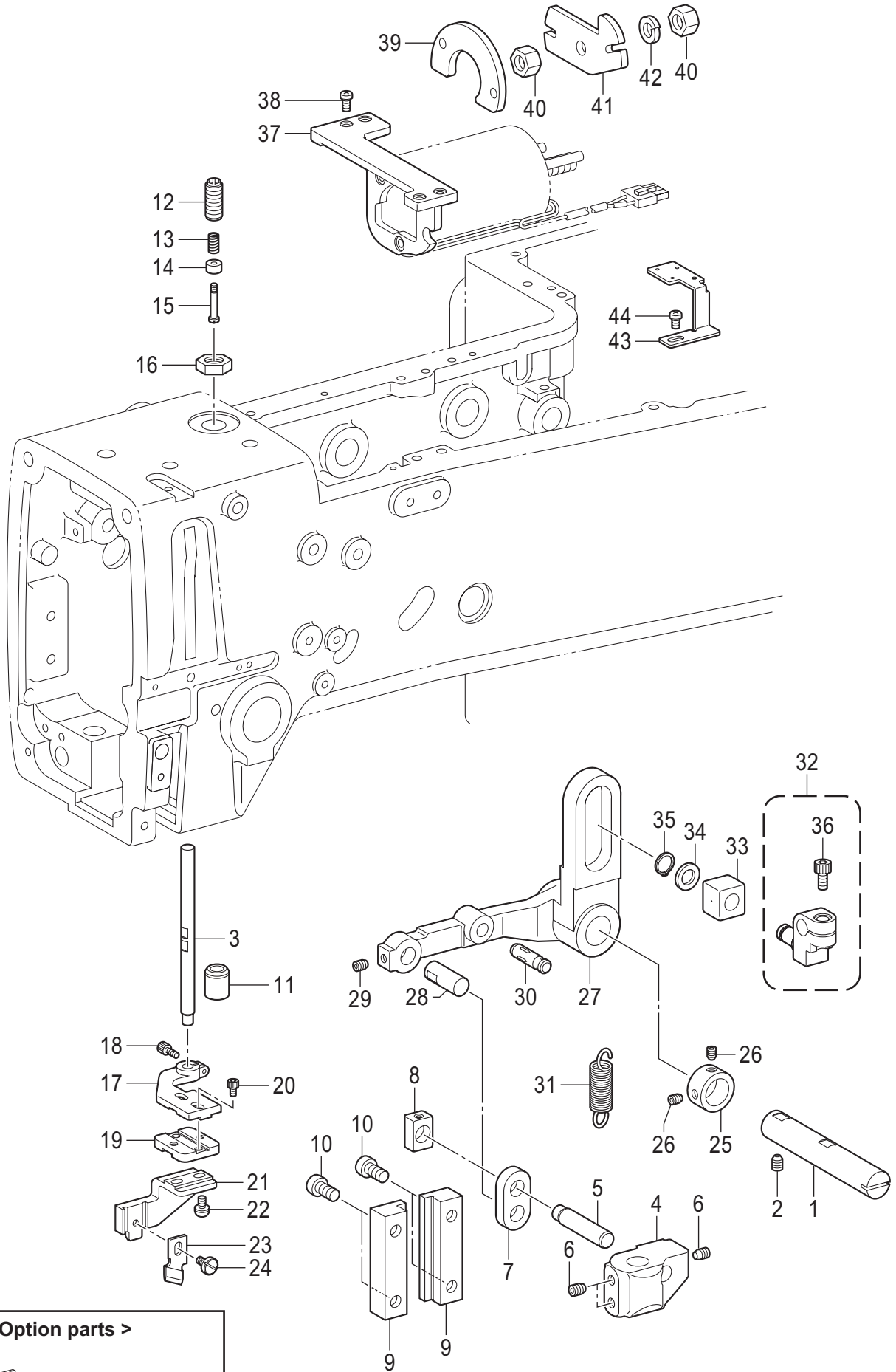
G. 送料装置 / Feed mechanism



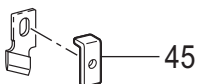
G. 送料装置 / Feed mechanism

参照号	零部件序号	数量	零部件名称	NAME OF PARTS	RM
1	SB3692001	1	马达支架	MOTOR MOUNTING BRACKET	
2	062761012	3	螺钉 SM5.95-28X10	SCREW PAN SM5.95-28X10	
3	025060232	3	平垫圈 M6	WASHER PLAIN M 6	
4	018502032	1	螺栓 M5X20	BOLT SOCKET M5X20	
5	021500216	1	六角螺母 M5	NUT 2 M5	
6	SB3690001	1	送布驱动轮	PULLEY	
7	014060632	2	固定螺钉 M6X6	SET SCREW SOCKET (CP) M6X6	
8	SB3719001	1	T皮带 399-3GT-10	T BELT 399-3GT-10	
9	SB3690001	1	送布驱动轮	PULLEY	
10	014060632	2	固定螺钉 M6X6	SET SCREW SOCKET (CP) M6X6	
11	SB3691001	1	支轴	SUPPORT SHAFT	
12	070688850	2	R球轴承 688ZZ	BALL BEARING RADIAL 688ZZ	
13	S50211101	1	皮带架	BELT HOLDER	
14	S59890001	2	螺栓SM4.37-40X8	BOLT, SOCKET SM4.37-40X8	
15	SB3694001	1	送布臂台	FEED ARM SUPPORT	
16	SB3693001	1	送布导向轴B	FEED GUIDE SHAFT B	
17	014060632	1	固定螺钉 M6X6	SET SCREW SOCKET (CP) M6X6	
18	S12004000	2	线性轴套	LINEAR BUSH	
19	S35184001	2	轴承挡板	BALL BEARING STOPPER	
20	060660416	2	螺钉 SM3.18-40X4	SCREW BIND SM3.18-40X4	
21	S50214001	1	送布导向轴A	FEED GIIDE SHAFT A	
22	S59894001	2	螺栓SM4.37-40X12	BOLT, SOCKET SM4.37-40X12	
23	S12004000	1	线性轴套	LINEAR BUSH	
24	S02460001	2	轴用挡圈 C19	RETAINING RING, EXTERNAL C19	
25	S50215101	1	送布感应器支板	FEED SENSOR SUPPORT PLATE	
26	062680812	2	螺钉 SM4.37-40X8	SCREW PAN SM4.37-40X8	
27	025680132	2	平垫圈 S4.37	WASHER PLAIN S SM4.37	
28	S50223100	1	送布盖	COVER	
29	S59890001	1	螺栓SM4.37-40X8	BOLT, SOCKET SM4.37-40X8	
30	025680132	1	平垫圈 S4.37	WASHER PLAIN S SM4.37	
31	S50216101	1	送布臂支轴	SUPPORT SHAFT	
32	012500536	1	螺钉 M5X5	SET SCREW SOCKET (FT) M5X5	
33	S50217001	1	送布臂	FEED ARM	
34	S50218101	1	凸轮支板	SUPPORT PLATE	
35	S50219101	1	凸轮	CAM	
36	S59893001	2	螺栓SM4.37-40X10	BOLT, SOCKET SM4.37-40X10	
37	S59892001	2	螺栓SM4.37-40X5	BOLT, SOCKET SM4.37-40X5	
38	110735002	4	垫圈	WASHER	
39	S59893001	2	螺栓SM4.37-40X10	BOLT, SOCKET SM4.37-40X10	
40	028680242	2	弹簧垫圈 2-4.37	WASHER SPRING 2-4.37	
41	S50221101	2	送布压板	FEED PRESSER PLATE	
42	105130001	4	螺钉 SM3.57	SCREW SM3.57	
43	S50222001	1	送布臂支架	FEED ARM SUPPORT	
44	S50562101	1	轴位螺钉 SM6.35	SHOULDER SCREW SM6.35	
45	107404001	2	螺钉 SM1.98-64X2	SCREW SM1.98-64X2	
46	159080100	1	护指器 M	FINGER GUARD, M	
47	159078101	1	弹簧	SPRING	
48+	S50220001	1	<用于-2> 长送布板-2	<For -2> LENGTH FEED PLATE, -2	
49+	S37100402	1	压脚25RS组件F	WORK CLAMP ASSY 25RS W/F-G	
50+	159762002	1	压脚板 25RS	WORK CLAMP 25RS	
51+	107401001	2	板弹簧	SPRING, PLATE	
48+	S50225001	1	<用于-3> 长送布板-3	<For -3> LENGTH FEED PLATE, -3	
49+	S37102401	1	压脚25组件F	WORK CLAMP ASSY 25-K W/F-G	
50+	144630001	1	压脚板	WORK CLAMP 25-K	
51+	144707001	2	板弹簧	SPRING PLATE	

H. 切刀装置 / Cutter mechanism



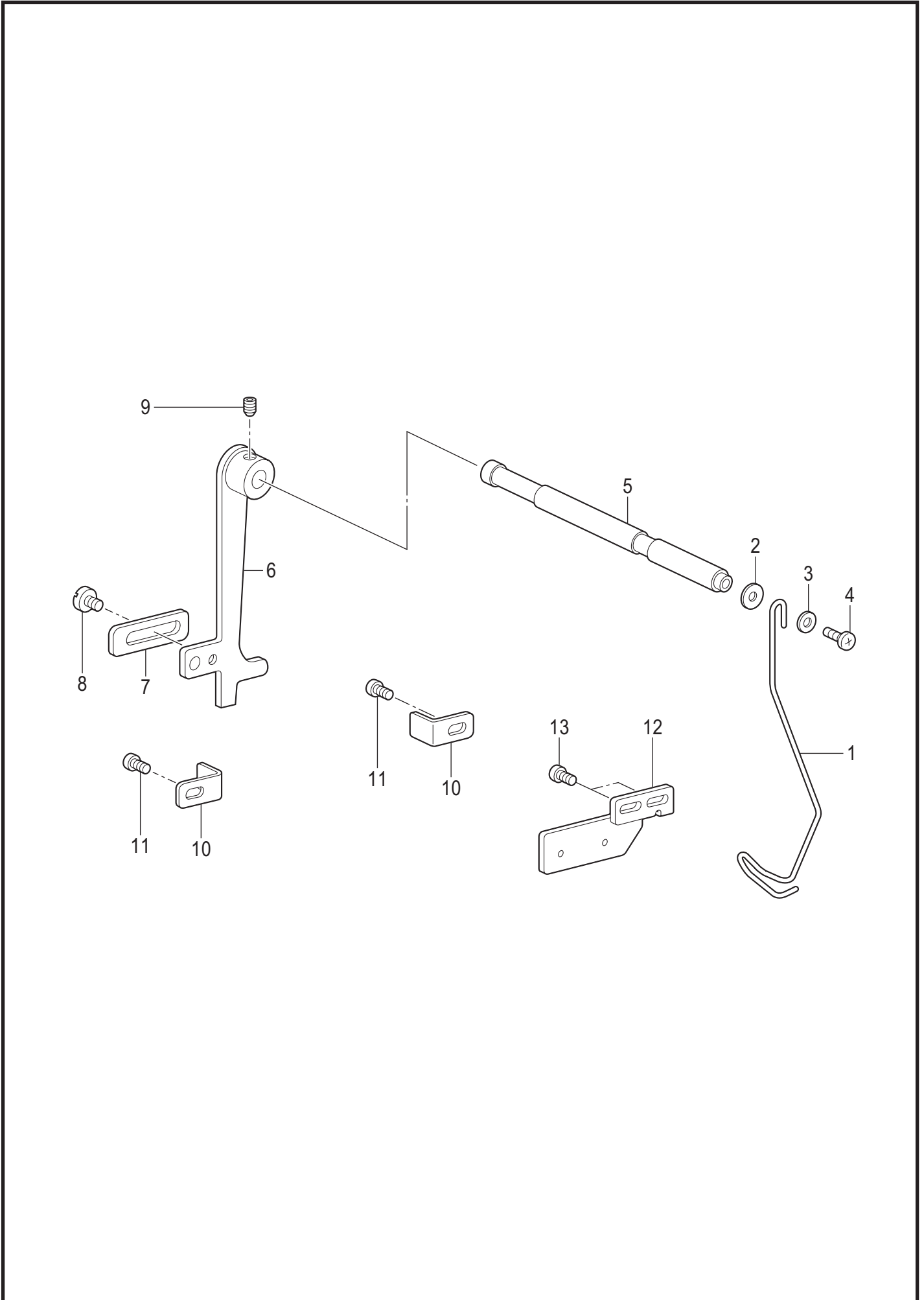
< 选购件 / Option parts >



H. 切刀装置 / Cutter mechanism

参照号	零部件序号	数量	零部件名称	NAME OF PARTS	RM
1	SB3679001	1	切刀驱动臂轴	CUTTER DRIVING ARM SHAFT	
2	014760632	1	螺钉 SM5.95-28X6	SET SCREW SOCKET SM5.95-28X6	
3	S50284101	1	切刀动作轴	CUTTER DRIVING SHAFT	
4	S50286101	1	切刀动作轴座	CUTTER DRIVING SHAFT HOLDER	
5	S50287001	1	切刀动作连板轴	CUTTER DRIVING LINK SHAFT	
6	014780632	3	螺钉 SM6.35-28X6	SET SCREW SOCKET SM6.35-28X6	
7	S50288001	1	切刀驱动连板	CUTTER DRIVING LINK	
8	102630001	1	针杆接头滑块	NEEDLE BAR GUIDE SLIDE BLOCK	
9	SA2385001	2	切刀轴导向	GUIDE,;C-BAR	
10	062761012	4	螺钉 SM5.95-28X10	SCREW PAN SM5.95-28X10	
11	159117001	1	轴套	BUSH, ;C-DRIVING SHAFT	
12	S50290001	1	调节螺钉	ADJUSTING SCREW	
13	S50291001	1	缓冲簧	CUSHION SPRING	
14	S50292001	1	缓冲垫圈	CUSHION SUPPORT	
15	S50293001	1	轴位螺钉SM3.57	SHOULDER SCREW SM3.57	
16	021910302	1	螺母 SM12.7-20	NUT 3 SM12.70-20	
17	S50294001	1	切刀夹座	CUTTER HOLDER	
18	S59893001	1	螺栓SM4.37-40X10	BOLT, SOCKET SM4.37-40X10	
19	S50295001	1	切刀夹座M	CUTTER HOLDER, M	
20	S59891001	2	螺栓SM4.37-40X6	BOLT, SOCKET SM4.37-40X6	
21	S50296001	1	切刀夹座DL	CUTTER HOLDER, DL	
22	153057102	2	螺钉 SM4.37	SCREW, ROUND W/SOCKET SM4.37	
23	S51352001	1	切刀 1/2	CUTTER, 1/2	
24	115503001	1	螺钉 SM4.37	SCREW, SM4.37	
25	S09212001	1	紧圈	SET SCREW COLLAR	
26	014770632	2	螺钉 SM6.35-40X6	SET SCREW SOCKET SM6.35-40X6	
27	SB3319001	1	切刀驱动臂	CUTTER DRIVING ARM	
28	159104001	1	C动作销	PIN	
29	012400536	1	螺钉 M4X5	SET SCREW SOCKET (FT) M4X5	
30	159379001	1	带槽销BX6X18	PIN, DOWEL BX6X18	
31	S50366001	1	弹簧	SPRING	
32	SB4013001	1	切刀连板台组件	CUTTER LINK BRACKET ASSY	
33	SB3682001	1	滑块	SLIDE BLOCK	
34	SA2161001	1	垫圈	WASHER	
35	048080142	1	轴用挡圈 C8	RETAINING RING EXTERNAL C8	
36	018501236	1	螺栓 M5X12	BOLT SOCKET M5X12	
37	S50362101	1	切刀电磁铁台	CUTTER SOLENOID BRACKET	
38	062711412	4	螺钉 SM4.76-32X14	SCREW PAN SM4.76-32X14	
39	S50363000	1	缓冲垫片	STOPPER CUSHION	
40	021080202	2	螺母 M8	NUT 2 M8	
41	S50364001	1	电磁铁定位板	SOLENOID STOPPER	
42	028080242	1	弹簧垫圈 2-8	WASHER SPRING 2-8	
43	S50365101	1	切刀感应器安装板	CUTTER SENSOR SETTING PLATE	
44	062710812	1	螺钉 SM4.76-32X8	SCREW PAN SM4.76-32X8	
45	S50297001	1	<选购件> 压刀板	<Option parts> CUTTER HOLDER	

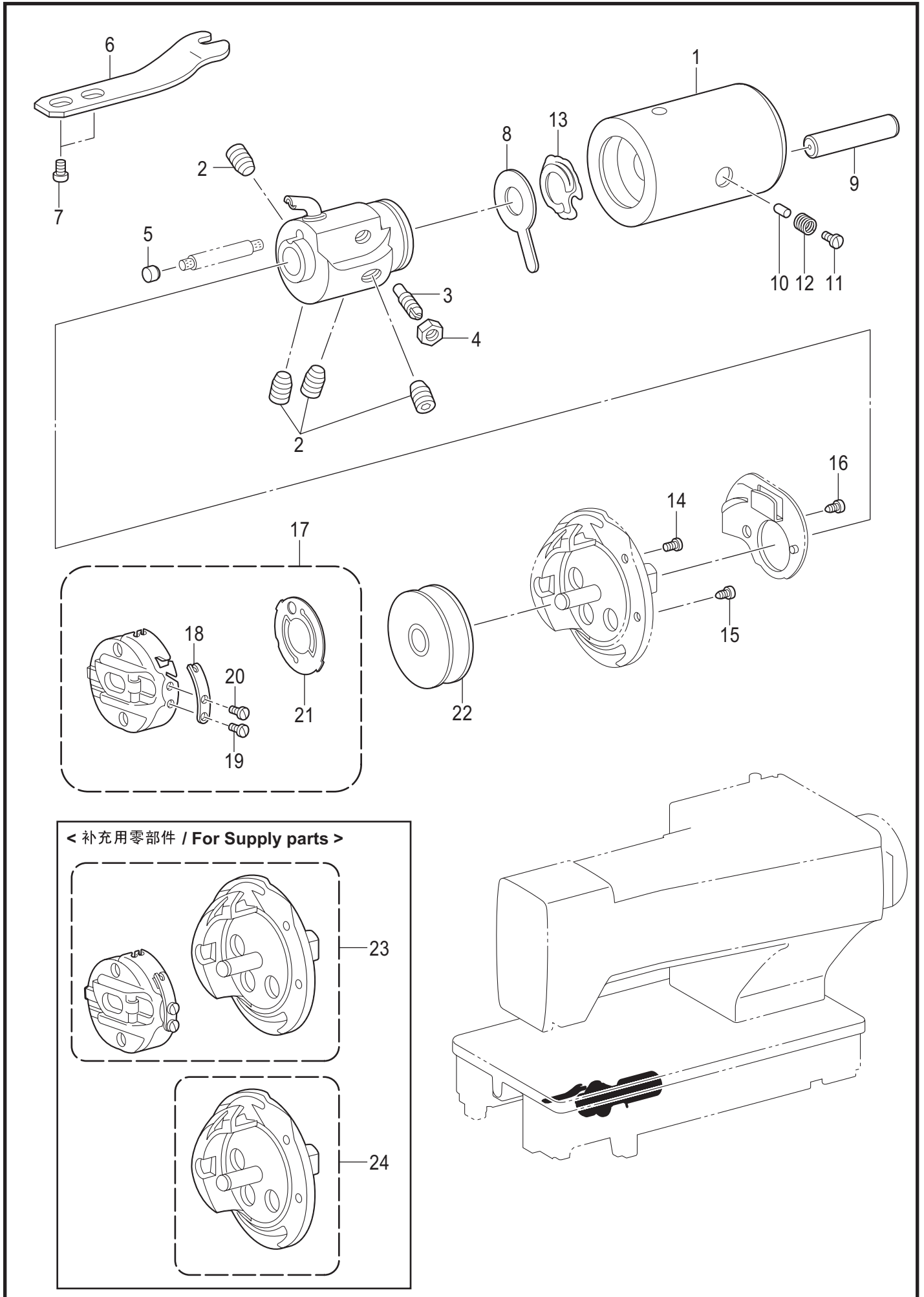
J. 断线传感器装置 / Thread breakage detector mechanism



J. 断线传感器装置 / Thread breakage detector mechanism

参照号	零部件序号	数量	零部件名称	NAME OF PARTS	RM
1	S50273000	1	断线感应器导向	THREAD GUIDE	
2	025060232	1	平垫圈 M6	WASHER PLAIN M 6	
3	SB2456001	1	平垫圈 3.5	WASHER PLAIN 3.5	
4	060670612	1	螺钉 SM3.57-40X6	SCREW BIND SM3.57-40X6	
5	159145001	1	断线感知轴	TR-BREAKAGE PERCEIVING SHAFT	
6	141619001	1	切刀锁定臂	FIXEING PLATE, ;C-BAR	
7	141620001	1	平衡块	BALANCER	
8	101671002	1	螺钉 SM4.37	SCREW, SM4.37	
9	014760632	1	螺钉 SM5.95-28X6	SET SCREW SOCKET SM5.95-28X6	
10	S50274001	2	定位板	LEVER STOPPER	
11	062400612	2	螺钉 M4X6	SCREW PAN M4X6	
12	S50275001	1	断线感应器板	THREAD BREAKAGE SENSOR PLATE	
13	062400612	2	螺钉 M4X6	SCREW PAN M4X6	

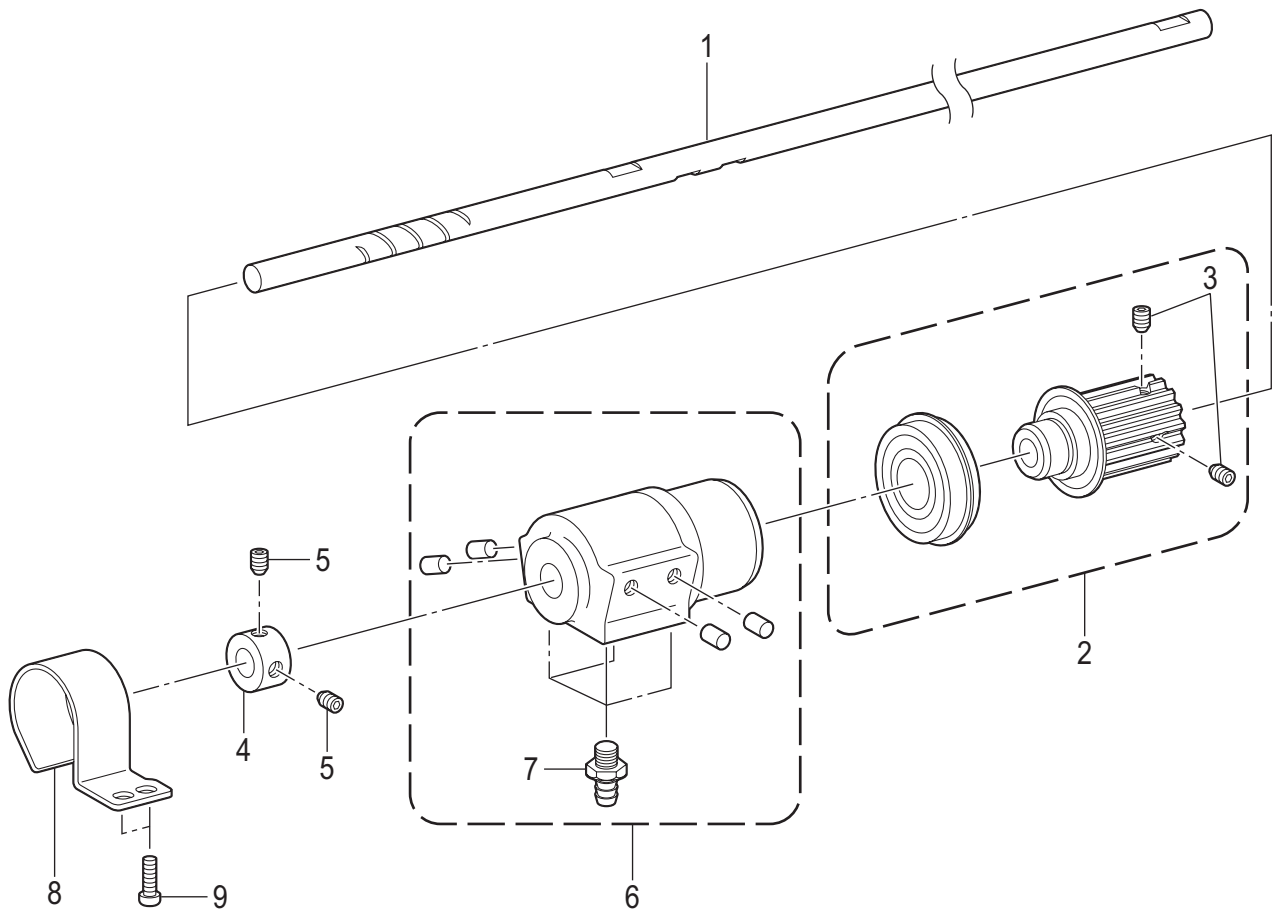
K. 旋梭装置 / Rotary hook mechanism



K. 旋梭装置 / Rotary hook mechanism

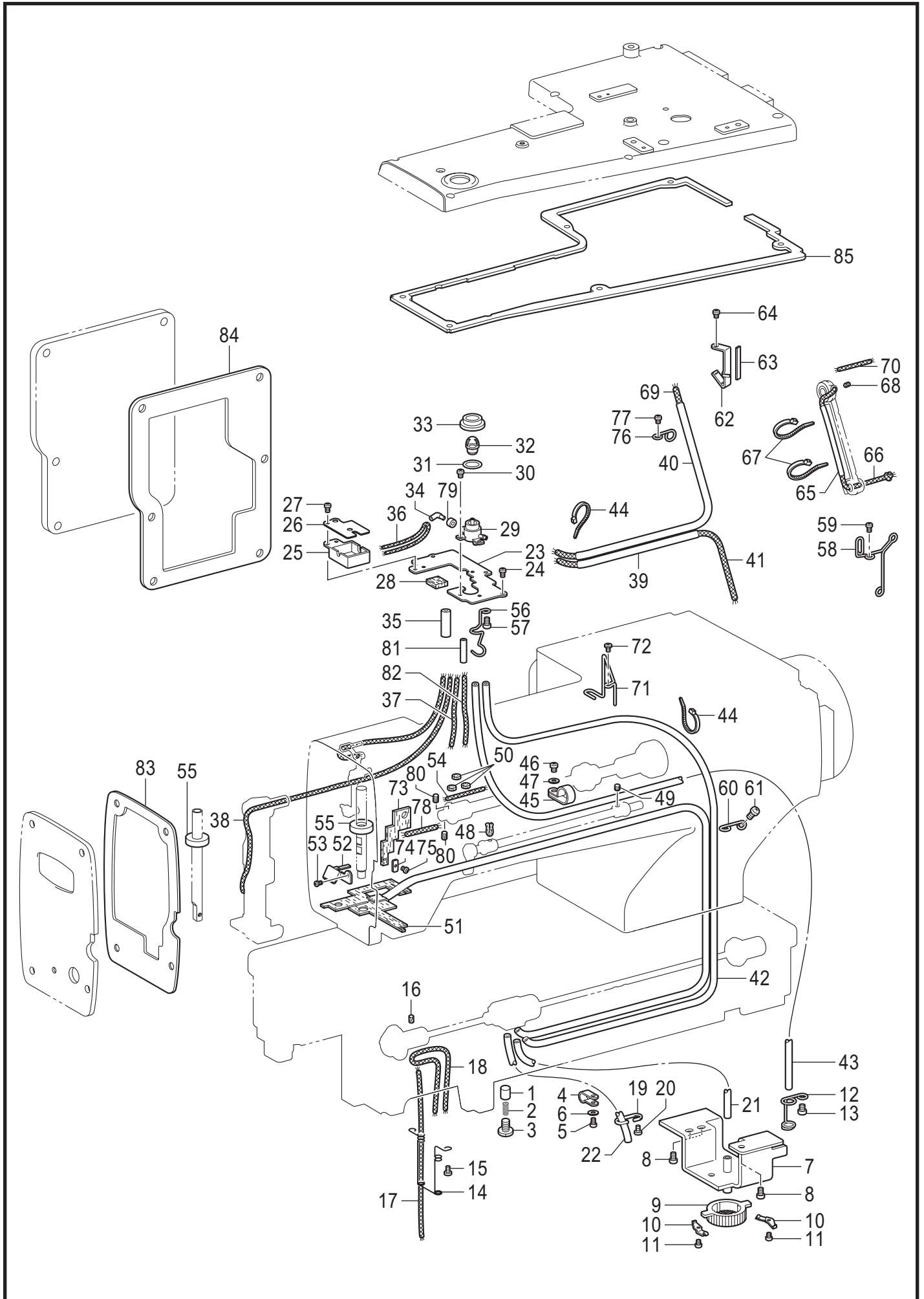
参照号	零部件序号	数量	零部件名称	NAME OF PARTS	RM
1	S50226001	1	旋梭轴套	ROTARY HOOK SHAFT BUSH	
2	014760632	4	螺钉 SM5.95-28X6	SET SCREW SOCKET SM5.95-28X6	
3	S56391001	1	固定螺钉 SM3.18	SET SCREW, SM3.18	
4	021660306	1	六角螺母 SM3.18-40	NUT 3 SM3.18-40	
5	SA7402001	1	橡皮塞 3.7	RUBBER CAP 3.7	
6	S50230001	1	旋梭止动	B-CASE HOLDER POSITION BRACKET	
7	100644005	2	螺钉 SM4.37	SCREW, SM4.37	
8	S50232000	1	旋梭油毡	ROTARY HOOK FELT	
9	S50231200	1	灯芯管	COLLAR	
10	S07478000	1	柱塞	RUBBER PRESSER	
11	S54741001	1	螺钉SM6.35	SCREW, SM6.35	
12	S50233001	1	弹簧	SPRING	
13	S50111100	1	弹簧	SPRING	
14	183526001	2	螺钉	SCREW	
15	S50236001	1	螺钉B	SCREW	
16	183598001	1	螺钉	SCREW	
17	SA9138101	1	梭芯套组件	BOBBIN CASE ASSY	
18	S09477001	1	弹簧	SPRING	
19	180721001	1	螺钉	SCREW	
20	183507001	1	调节螺钉	ADJUSTING SCREW	
21	SA8126001	1	旋梭空转防止簧	ANTI-SPIN SPRING	
22	159158051	1	梭芯	BOBBIN	
			<补充用零部件>	<For supply parts>	
23	SB0548001	1	盒装旋梭组件 SB1542	ROTARY HOOK ASSY W/BOX SB1542	
24	SB0549001	1	盒装旋梭组件 SB2271	ROTARY HOOK ASSY W/BOX SB2271	

L. 下轴装置 / Lower shaft mechanism



L. 下轴装置 / Lower shaft mechanism

参照号	零部件序号	数量	零部件名称	NAME OF PARTS	RM
1	S50240001	1	下轴	LOWER SHAFT	
2	SB3357001	1	同步轮组件	TIMING PULLEY ASSY	
3	014060632	2	固定螺钉 M6X6	SET SCREW SOCKET (CP) M6X6	
4	104521001	1	下轴紧圈	SET SCREW COLLAR	
5	014770632	2	螺钉 SM6.35-40X6	SET SCREW SOCKET SM6.35-40X6	
6	S50243101	1	下轴轴套M组件	BUSH ASSY M	
7	S38735001	4	油口	OIL FEEDING PIPE	
8	S50245001	1	轴套M固定圈	COVER	
9	062670612	2	螺钉 SM3.57-40X6	SCREW PAN SM3.57-40X6	

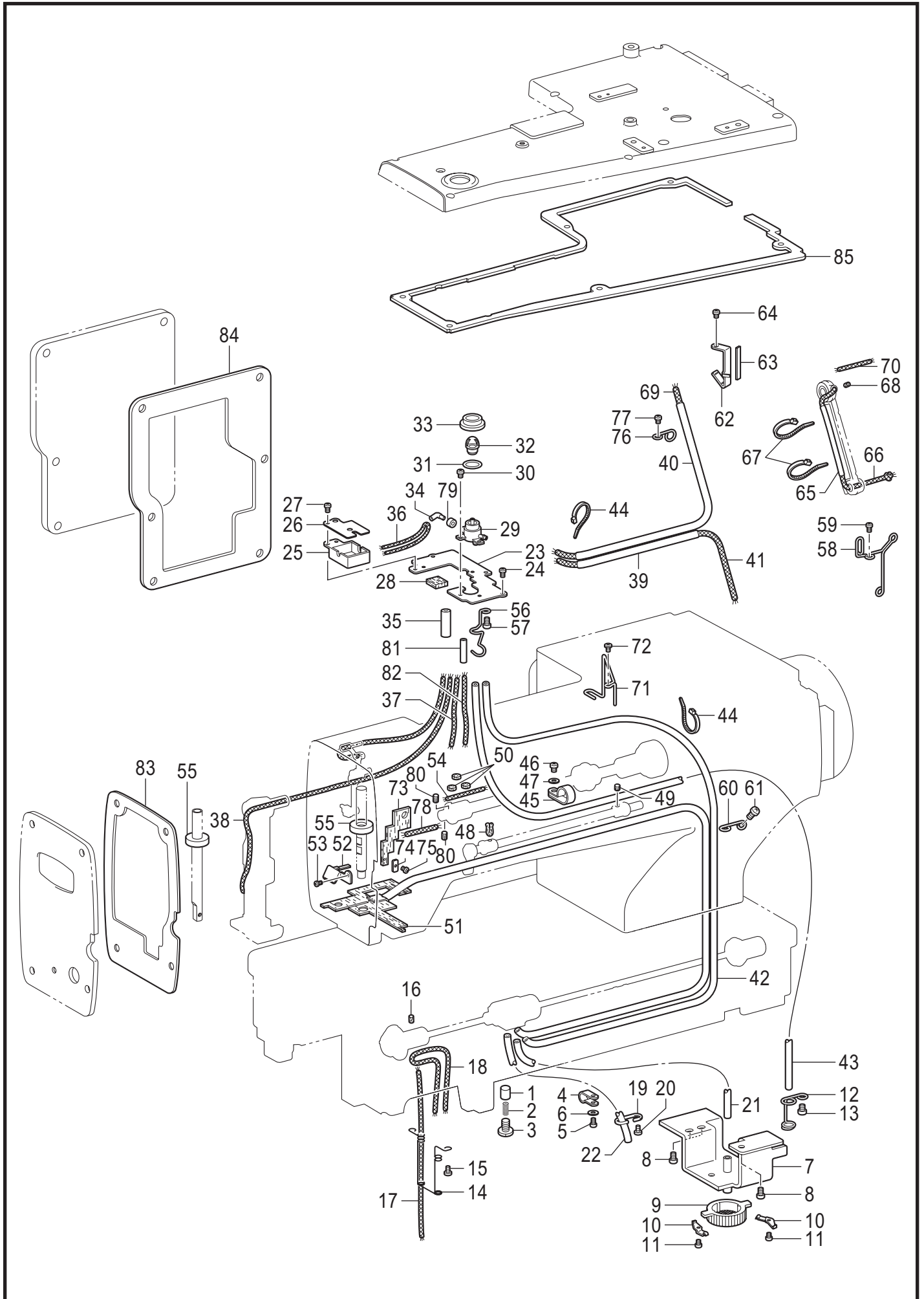


M. 供油润滑装置 / Lubrication

参照号	零部件序号	数量	零部件名称	NAME OF PARTS	RM
1	144875001	2	柱塞	PLUNGER	
2	S52764001	2	弹簧	SPRING COMPRESSION	
3	112467002	2	螺钉 SM6.35X5	SCREW SM6.35X5	
4	552907000	2	电线夹 #10	CORD HOLDER #10	
5	062670612	2	螺钉 SM3.57-40X6	SCREW PAN SM3.57-40X6	
6	025350132	2	平垫圈 S3.5	WASHER PLAIN S 3.5	
7	S50356001	1	油毡安装板组件	OIL FILTER BRACKET ASSY	
8	062680812	3	螺钉 SM4.37-40X8	SCREW PAN SM4.37-40X8	
9	144872101	1	油泵滤油盖	PUMP FILTER	
10	144874001	2	弹簧板	SPRING	
11	062670512	2	螺钉 SM3.57-40X5	SCREW PAN SM3.57-40X5	
12	S50359001	1	油线夹D	TUBE SUPPORT, D	
13	062680612	1	螺钉 SM4.37-40X6	SCREW PAN SM4.37-40X6	
14	SB3733001	1	油毡支架	ROTARY HOOK FELT SUPPORT	
15	060670612	2	螺钉 SM3.57-40X6	SCREW BIND SM3.57-40X6	
16	S50556000	1	油毡	FELT	
17	S50563000	1	油线 4X200	WICK, 4X200	
18	SA4063001	1	油线 2X460	WICK, 2X460	
19	S50559001	1	管夹	TUBE SUPPORT	
20	060670612	1	螺钉 SM3.57-40X6	SCREW BIND SM3.57-40X6	
21	S50557000	1	油管	OIL TUBE	
22	S50558000	1	油管 L=180	OIL TUBE L=180	
23	S50516101	1	灯芯基座支架	WICK BASE SUPPORT	
24	062670612	2	螺钉 SM3.57-40X6	SCREW PAN SM3.57-40X6	
25	SB3734001	1	灯芯基座 A	FELT BASE A	
26	S50517001	1	灯芯基座盖	CAP	
27	062680712	2	螺钉 SM4.37-40X7	SCREW PAN SM4.37-40X7	
28	S50518000	1	灯芯基座油毡	FELT	
29	S50519000	1	油接头	OIL TERMINAL	
30	062680612	2	螺钉 SM4.37-40X6	SCREW PAN SM4.37-40X6	
31	S50520000	1	垫圈	PACKING	
32	S50521000	1	油窗	OIL CAP	
33	S50538001	1	油窗架	OIL WINDOW SUPPORT	
34	159193000	1	油管B	OIL PIPE, B	
35	S50522000	1	油管	OIL TUBE	
36	S52763000	1	油线 2X140	WICK, 2X140	
37	S50524000	1	油线 3X160	WICK, 3X160	
38	S50525000	1	油线 3X290	WICK, 3X290	
39	S50527000	1	油管	OIL TUBE	
40	S50529000	1	油管 L=320	OIL TUBE L=320	
41	SB0051001	1	油线4X4 L=330	WICK 4X4 L=330	
42	S50531000	1	油管	OIL TUBE	
43	S50532000	1	油管	OIL TUBE	
44	228475000	2	电线夹 1.9X80	FASTENING BAND 1.9X80	
45	S00480000	1	电线夹 #5	CORD HOLDER 5N	
46	062670612	1	螺钉 SM3.57-40X6	SCREW PAN SM3.57-40X6	
47	025350132	1	平垫圈 S3.5	WASHER PLAIN S 3.5	
48	106436001	1	滤油毡 (L=30)	FELT	
49	107149001	1	油毡	FELT	
50	151927001	3	油毡	FELT, ;CLUTCH	
51	S50533000	1	吸油管组件	OIL TUBE ASSY	
52	S50536001	1	油毡支架	FELT HOLDER	
53	062670512	1	螺钉 SM3.57-40X5	SCREW PAN SM3.57-40X5	
54	S50537000	1	油线 4X50	WICK, 4X50	
55	S50539000	2	滤油器	OIL REJECTOR	
56	SB3732001	1	管夹	TUBE SUPPORT	
57	062680612	1	螺钉 SM4.37-40X6	SCREW PAN SM4.37-40X6	
58	S50541001	1	管夹 U	TUBE SUPPORT, U	
59	060670612	1	螺钉 SM3.57-40X6	SCREW BIND SM3.57-40X6	
60	S50542001	1	管夹 M	TUBE SUPPORT, M	
61	062400612	1	螺钉 M4X6	SCREW PAN M4X6	
62	S50543001	1	油毡支架	FELT SUPPORT	
63	S50544000	1	油毡	FELT	

ST-880B-350

M. 供油润滑装置 / Lubrication

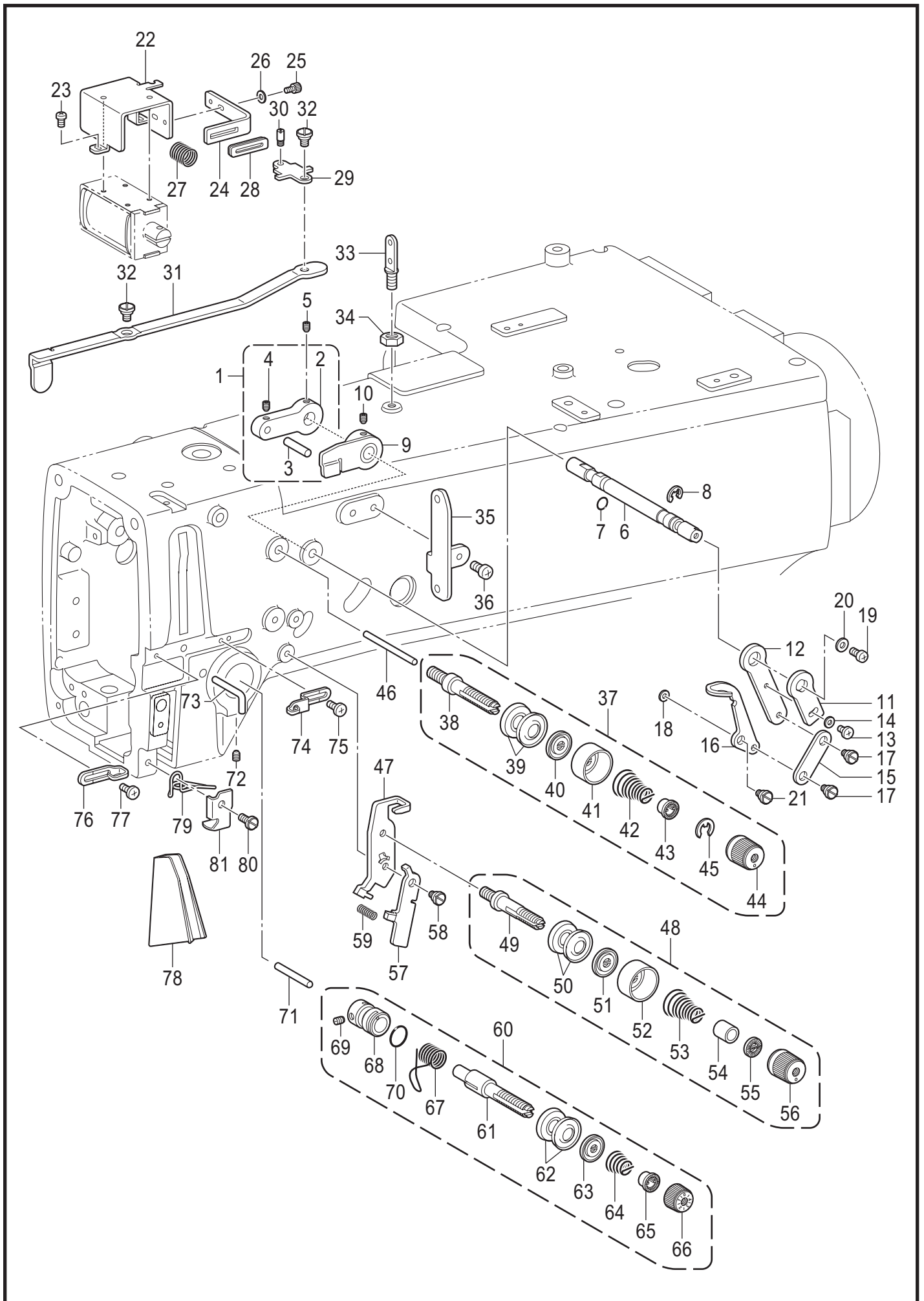


ST-880B-350

M. 供油润滑装置 / Lubrication

参照号	零部件序号	数量	零部件名称	NAME OF PARTS	RM
64	062400612	1	螺钉 M4X6	SCREW PAN M4X6	
65	S50547000	1	油管	OIL TUBE	
66	S50545000	1	油线 3X180	WICK, 3X180	
67	228475000	2	电线夹 1.9X80	FASTENING BAND 1.9X80	
68	S25328001	1	油毡	FELT	
69	S50546000	1	油线 3X370	WICK, 3X370	
70	S50537000	1	油线 4X50	WICK, 4X50	
71	S50548001	1	管夹	TUBE SUPPORT, R	
72	060670612	1	螺钉 SM3.57-40X6	SCREW BIND SM3.57-40X6	
73	S50549000	1	油毡	FELT	
74	S50550001	1	油毡压板	FELT SUPPORT	
75	062670512	1	螺钉 SM3.57-40X5	SCREW PAN SM3.57-40X5	
76	S50551001	1	管夹	TUBE SUPPORT	
77	062300616	1	螺钉 M3X6	SCREW PAN M3X6	
78	S50552000	1	油线 4X70	WICK, 4X70	
79	S51020000	1	灯芯管	COLLAR	
80	S25328001	2	油毡	FELT	
81	SA4066001	1	油管 L=40	OIL TUBE L=40	
82	SA4067001	1	油线 3X150	WICK, 3X150	
83	S50513100	1	主板垫片	FACE PLATE PACKING	
84	S50514100	1	侧板垫片	REAR COVER PACKING	
85	SB3727001	1	上盖垫片	TOP COVER PACKING	

N. 穿线装置 / Threading mechanism

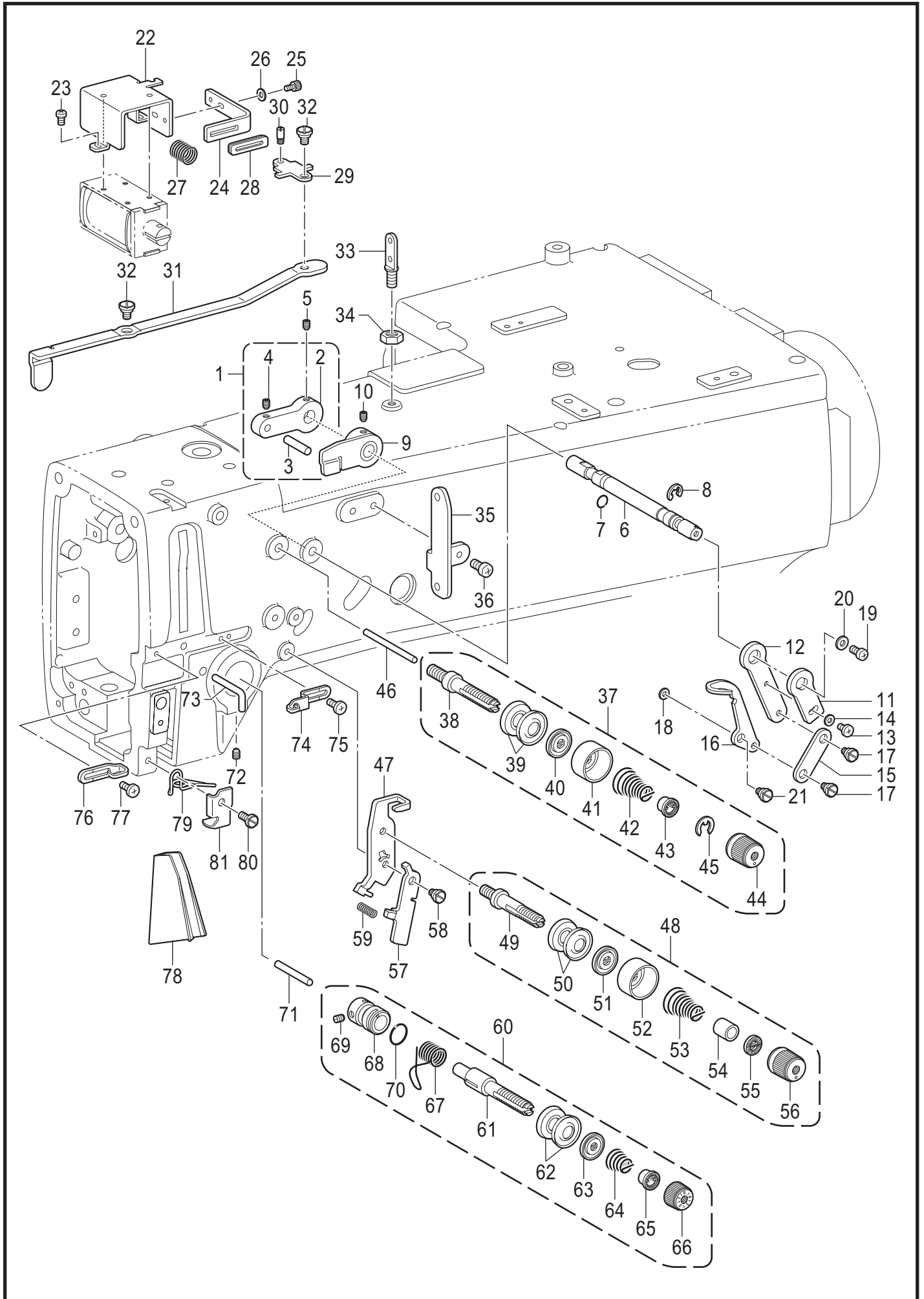


N. 穿线装置 / Threading mechanism

参照号	零部件序号	数量	零部件名称	NAME OF PARTS	RM
1	S50368001	1	松线驱动杆组件	T-RELEASE DRIVING LEVER ASSY	
2	S50369001	1	松线驱动杆	TENSION RELEASE DRIVING LEVER	
3	S35095000	1	滚针 4X13.8	NEEDLE ROLLER, 4X13.8	
4	014400432	1	螺钉 M4X4	SET SCREW SOCKET (CP) M4X4	
5	014760632	1	螺钉 SM5.95-28X6	SET SCREW SOCKET SM5.95-28X6	
6	S50370001	1	松线轴	TENSION RELEASE SHAFT	
7	081005070	1	O形圈 P5	O RING P5	
8	048060342	1	挡圈 E6	RETAINING RING E6	
9	S50371101	1	松线凸轮	TENSION RELEASE CAM	
10	014760632	1	螺钉 SM5.95-28X6	SET SCREW SOCKET SM5.95-28X6	
11	S50372101	1	抽线杆	LEVER	
12	S50373101	1	调节杆	ADJUSTING LEVER	
13	060670512	1	螺钉 SM3.57-40X5	SCREW BIND SM3.57-40X5	
14	100645003	1	垫圈	WASHER	
15	S50374001	1	连接杆	LEVER LINK	
16	S50375001	1	勾线杆	TENSION TAKE-UP LEVER	
17	S50376101	2	轴位螺钉4.37	SHOULDER SCREW SM4.37	
18	100645003	1	垫圈	WASHER	
19	062680612	1	螺钉 SM4.37-40X6	SCREW PAN SM4.37-40X6	
20	SB2256001	1	平垫圈 M4.37	WASHER PLAIN 4.37	
21	SA6113001	1	轴位螺钉4.37-5.5	SHOULDER SCREW SM4.37-5.5	
22	S50377001	1	松线电磁铁支架	SOLENOID HOLDER	
23	062670612	2	螺钉 SM3.57-40X6	SCREW PAN SM3.57-40X6	
24	S50378001	1	压板	PLATE	
25	018300636	1	螺栓 M3X6	BOLT SOCKET M3X6	
26	025030136	1	平垫圈 S3	WASHER PLAIN S 3	
27	S50380000	1	恢复簧	SPRING	
28	SA0990001	1	橡皮垫片组件	TENSION RELEASE RUBBER ASSY	
29	SA0992001	1	松线电磁铁连杆	TENSION RELEASE SOLENOID LINK	
30	S25456001	1	柱塞销	PLUNGER PIN	
31	S50382101	1	松线联接杆	TENSION RELEASE LINK	
32	S50376101	2	轴位螺钉4.37	SHOULDER SCREW SM4.37	
33	141590001	1	穿线杆	THREADING BAR, U	
34	150553003	1	螺母 SM5.95	NUT, SM5.95	
35	S50383001	1	穿线器	THREAD RETAINER	
36	062670612	2	螺钉 SM3.57-40X6	SCREW PAN SM3.57-40X6	
37	S51184202	1	副夹线器组件	SUB THREAD TENSION ASSY	
38	SA4232001	1	副夹线螺杆	SUB TENSION STUD	
39	145446001	2	夹线盘	DISC TENSION	
40	159805001	1	夹线压盘	TENSION DISC PRESSER	
41	144103005	1	压线圈	TENSION DISC PRESSER	
42	144110101	1	压线弹簧	TENSION ADJUSTING SPRING	
43	S30564000	1	垫圈	WASHER	
44	S30565025	1	调整螺母	TENSION NUT	
45	SA4233001	1	定位圈	KNOB NUT STOPPER	
46	S50384101	1	松线销	TENSION RELEASE PIN	
47	S50385001	1	松线杆座	TENSION RELEASE LEVER BRACKET	
48	S51183102	1	夹线杆组件	TENSION STUD ASSY	
49	145440001	1	夹线螺杆	TENSION STUD	
50	145446001	2	夹线盘	DISC TENSION	
51	159805001	1	夹线压盘	TENSION DISC PRESSER	
52	144103005	1	压线圈	TENSION DISC PRESSER	
53	S50386101	1	夹线弹簧	TENSION SPRING	
54	S50387001	1	螺母管套	COLLAR	
55	151148001	1	止动圈 ML	STOPPER ML	
56	S30565025	1	调整螺母	TENSION NUT	
57	S50388001	1	松线杆	TENSION RELEASE LEVER	
58	114988001	1	轴位螺钉 M4.37	SHOULDER SCREW, M4.37	
59	S50389001	1	弹簧	SPRING	
60	S51182502	1	夹线支架组件	TENSION STUD BRACKET ASSY	
61	S50391001	1	夹线螺杆L	TENSION STUD L	
62	145446001	2	夹线盘	DISC TENSION	
63	159805001	1	夹线压盘	TENSION DISC PRESSER	

ST-880B-401

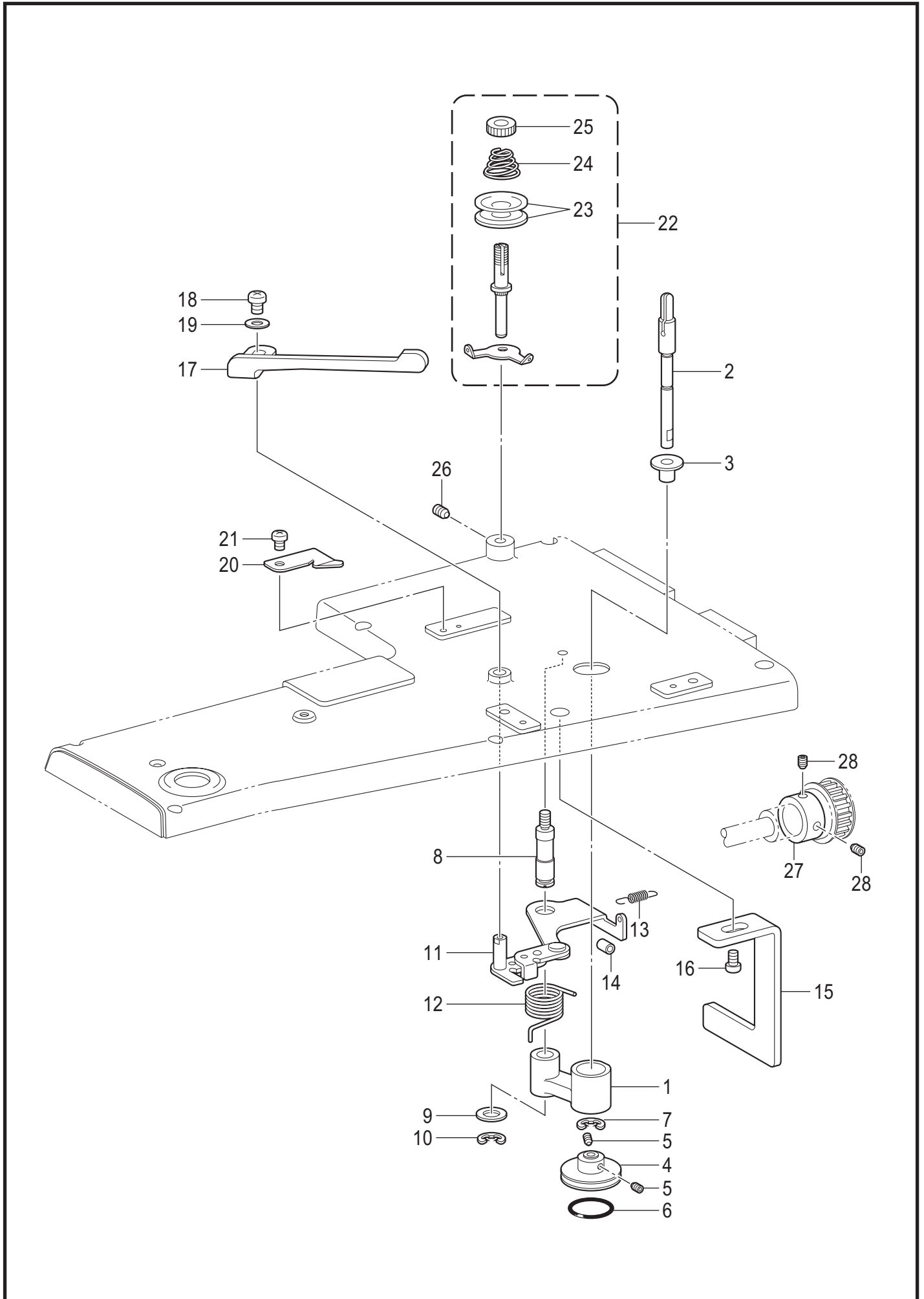
N. 穿线装置 / Threading mechanism



N. 穿线装置 / Threading mechanism

参照号	零部件序号	数量	零部件名称	NAME OF PARTS	RM
64	159221101	1	夹线弹簧	TENSION SPRING	
65	S30564000	1	垫圈	WASHER	
66	S31032002	1	压线螺母	TENSION NUT	
67	SA9058001	1	挑线弹簧	THREAD TAKE-UP SPRING	
68	S50390101	1	夹线支架	TENSION STUD BRACKET	
69	100402004	1	固定螺钉 SM3.57	SET SCREW SM3.57	
70	081014870	1	O形圈 S14	O RING S14	
71	S50384101	1	松线销	TENSION RELEASE PIN	
72	S55975001	1	固定螺钉SM5.95	SET SCREW, SOCKET SM5.95	
73	159224001	1	线钩	THREAD GUIDE, ARM	
74	S50392001	1	过线钩	ARM THREAD GUIDE	
75	060670512	1	螺钉 SM3.57-40X5	SCREW BIND SM3.57-40X5	
76	113316001	1	过线钩	ARM THREAD GUIDE	
77	060670512	1	螺钉 SM3.57-40X5	SCREW BIND SM3.57-40X5	
78	S50393000	1	通线板道	THREADING PLATE	
79	159917201	1	下过线器	THREAD GUIDE, L ;ARM	
80	112751003	1	螺钉 SM3.57X7	SCREW, SM3.57X7	
81	SA3035001	1	线导向压板	THREAD GUIDE COVER	

P. 绕线装置 / Bobbin winder mechanism

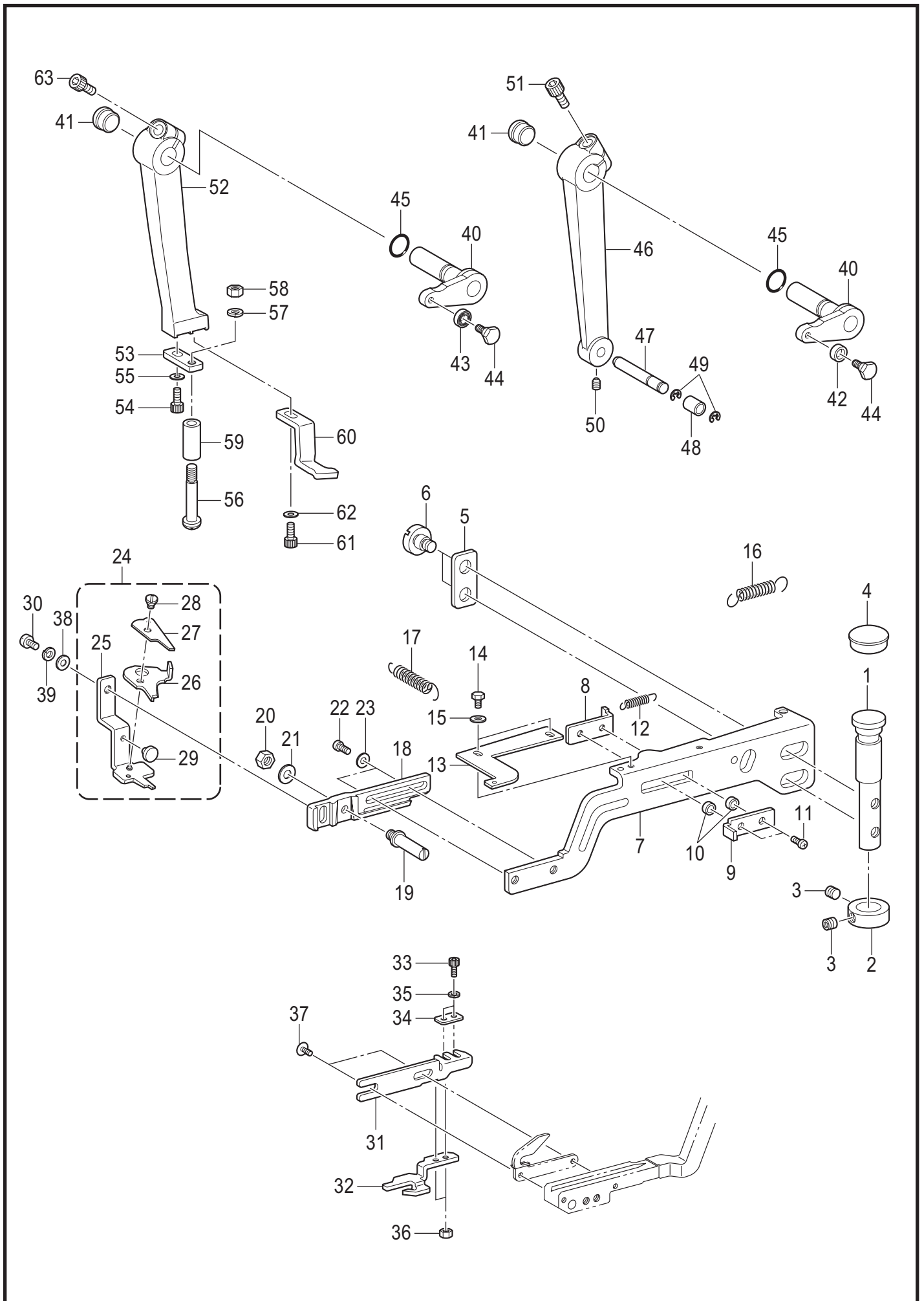


ST-880B-402

P. 绕线装置 / Bobbin winder mechanism

参照号	零部件序号	数量	零部件名称	NAME OF PARTS	RM
1	S50276101	1	绕线轴座组件	B-WINDER SHAFT BRACKET ASSY	
2	SB3743001	1	绕线轴	BOBBIN WINDER SHAFT	
3	S10174000	1	防灰轴座	DUST GUARD PLATE	
4	S25410050	1	绕线轮	BOBBIN WINDER WHEEL	
5	012400636	2	螺钉 M4X6	SET SCREW SOCKET (FT) M4X6	
6	S25789000	1	橡皮垫圈 29	RUBBER RING, 29	
7	048040342	1	挡圈 E4	RETAINING RING E4	
8	S50279101	1	绕线臂轴	BOBBIN WINDER ARM SHAFT	
9	SB2356001	1	平垫圈 8	WASHER PLAIN S 8	
10	048060342	1	挡圈 E6	RETAINING RING E6	
11	S25413101	1	梭芯压杆轴组件	BOBBIN PRESSER SHAFT ASSY	
12	S25417001	1	弹簧	SPRING	
13	S25418101	1	弹簧	SPRING	
14	S50282000	1	防震垫	B-WINDER LEVER CUSHION	
15	S50280001	1	绕线止动器	BOBBIN WINDER STOPPER	
16	062400816	1	螺钉 M4X8	SCREW PAN M4X8	
17	S25420051	1	梭芯压杆R	BOBBIN PRESSER R	
18	062400616	1	螺钉 M4X6	SCREW PAN M4X6	
19	026040236	1	平垫圈 M4	WASHER PLAIN M 4	
20	SA3299001	1	切刀	KNIFE	
21	062500616	1	螺钉 M5X6	SCREW PAN M5X6	
22	S38736301	1	绕线用夹线器组件	BOBBIN WINDER TENSION ASSY	
23	145446002	2	夹线盘	DISC TENSION	
24	115188101	1	夹线弹簧	TENSION SPRING	
25	108265009	1	压线螺母	TENSION NUT	
26	012400636	1	螺钉 M4X6	SET SCREW SOCKET (FT) M4X6	
27	SB3726001	1	绕线器驱动轮	BOBBIN WINDER PULLEY	
28	S23651001	2	固定螺钉 M6X6	SET SCREW SOCKET (FT) M6X6	

Q. 面线剪切装置 / Upper thread trimmer mechanism

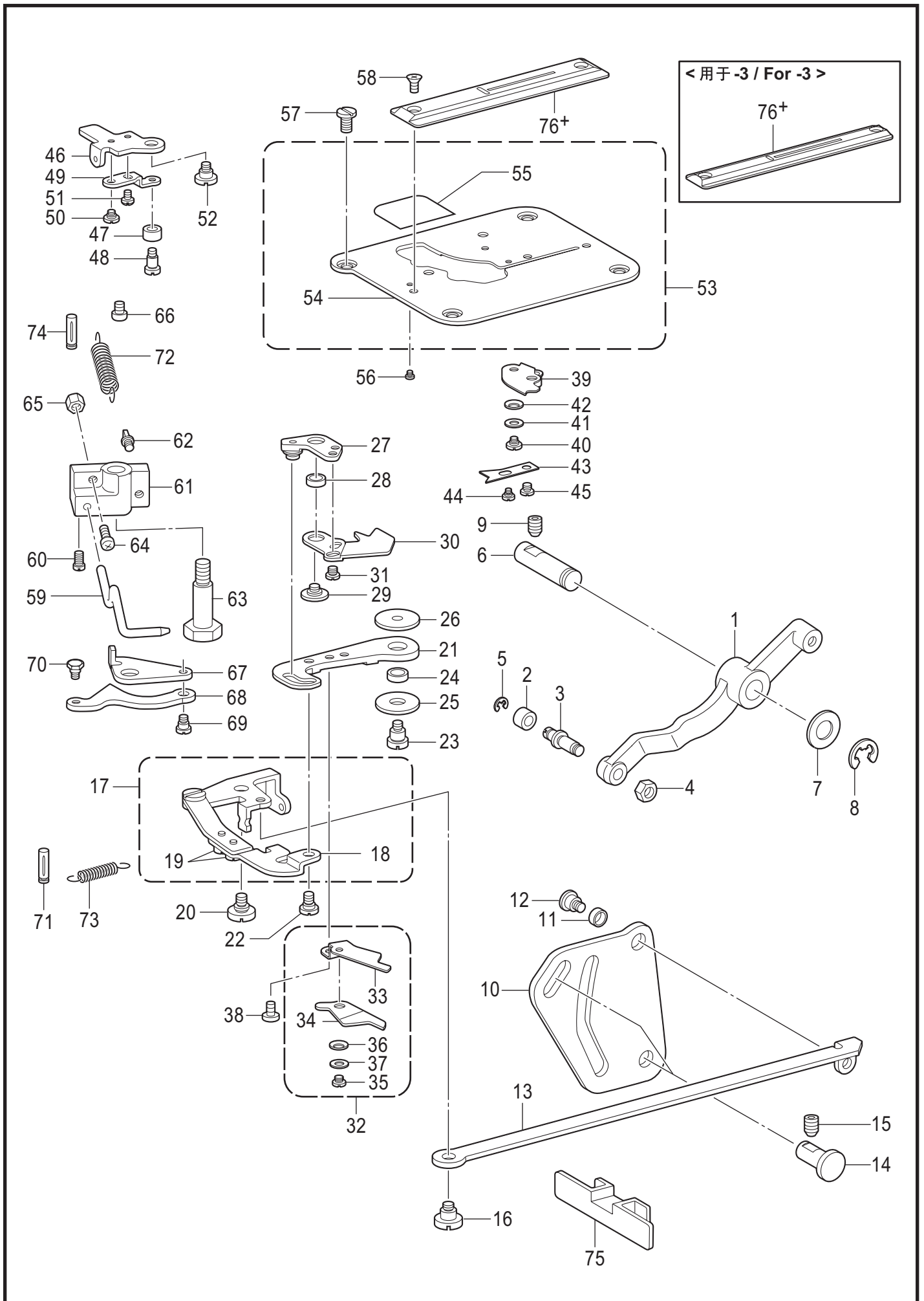


Q. 面线剪切装置 / Upper thread trimmer mechanism

参照号	零部件序号	数量	零部件名称	NAME OF PARTS	RM
1	S50394001	1	定位轴	UPPER T-TRIMMER FULCRUM SHAFT	
2	110027001	1	紧圈	SET SCREW COLLAR	
3	014760632	2	螺钉 SM5.95-28X6	SET SCREW SOCKET SM5.95-28X6	
4	S23337001	1	橡皮塞 18.5	RUBBER CAP, 18.5	
5	S52761101	1	垫圈 15X32X2.4	WASHER RECTANGLE 15X32X2.4	
6	S19817001	2	轴位螺钉SM5.95	SHOULDER SCREW, SM5.95	
7	S50395201	1	上切线曲柄组件	U-THREAD TRIMMER LEVER ASSY	
8	S50398001	1	剪刀止动板	STOP PLATE	
9	S50399101	1	剪刀复位板	BACK PLATE	
10	S50400001	2	管套	COLLAR	
11	062670712	2	螺钉 SM3.57-40X7	SCREW PAN SM3.57-40X7	
12	S50401001	1	恢复簧	SPRING	
13	SA9165001	1	调节板	ADJUSTING PLATE	
14	144075001	2	螺栓 SM3.57	BOLT SM3.57	
15	105161004	2	垫圈	WASHER PLAIN	
16	S02563001	1	复位簧	SPRING, EXTENSION	
17	S02563001	1	复位簧	SPRING, EXTENSION	
18	S50403101	1	剪刀安装板	SETTING PLATE	
19	159343001	1	支轴	SUPPORT STUD	
20	021680202	1	螺母 SM4.37-40	NUT 2 SM4.37-40	
21	025680132	1	平垫圈 S4.37	WASHER PLAIN S SM4.37	
22	062680612	2	螺钉 SM4.37-40X6	SCREW PAN SM4.37-40X6	
23	SB2256001	2	平垫圈 M4.37	WASHER PLAIN 4.37	
24	S50404401	1	剪刀组件	UPPER THREAD TRIMMER ASSY	
25	S50405301	1	剪刀D组件	THREAD TRIMMER ASSY D	
26	S50113101	1	剪刀M	UPPER THREAD TRIMMER M	
27	141513001	1	夹线片 U	UPPER THREAD TRIMMER UPPER	
28	141514001	1	轴位螺钉 SM3.18	SHOULDER SCREW, SM3.18	
29	S52431000	1	剪刀定位	U-THREAD TRIMMER STOPPER	
30	100644005	1	螺钉 SM4.37	SCREW, SM4.37	
31	SA9166001	1	安装板	OPENING CAM SETTING PLATE	
32	SA9167101	1	剪刀开启凸轮	OPENING CAM	
33	018300836	2	螺栓 M3X8	BOLT SOCKET M3X8	
34	SA9168001	1	垫圈	WASHER PLAIN	
35	028030246	2	弹簧垫圈 2-3	WASHER SPRING 2-3	
36	021300206	2	螺母 M3	NUT 2 M3	
37	107093002	2	螺钉 SM4.37	SCREW, SM4.37	
38	SB2256001	1	平垫圈 M4.37	WASHER PLAIN 4.37	
39	028680242	1	弹簧垫圈 2-4.37	WASHER SPRING 2-4.37	
40	S50410101	2	切线驱动柄	THREAD TRIMMER DRIVING LEVER	
41	117936001	2	橡皮塞 9.4	RUBBER CAP, 9.4	
42	S50411101	1	驱动柄滚轮	DRIVING LEVER ROLLER	
43	S50412000	1	轴承 106ZZS	BALL BEARING, 106ZZS	
44	S50413101	2	轴位螺钉	SHOULDER SCREW	
45	081012070	2	O形圈 P12	O RING P12	
46	S50414001	1	前后作动臂	LONGITUDINAL FEED ARM	
47	S50415001	1	销	L-FEED ARM PIN	
48	S50416001	1	滚轮	L-FEED ARM ROLLER	
49	048040342	2	挡圈 E4	RETAINING RING E4	
50	014680632	1	螺钉 SM4.37-40X6	SET SCREW SOCKET SM4.37-40X6	
51	018061632	1	内六角螺栓 M6X16	BOLT SOCKET M6X16	
52	SA9169001	1	切线作动臂	THREAD TRIMMER DRIVING ARM	
53	SA9170001	1	滚轮支板	SUPPORT PLATE	
54	S59893001	1	螺栓SM4.37-40X10	BOLT, SOCKET SM4.37-40X10	
55	025680132	1	平垫圈 S4.37	WASHER PLAIN S SM4.37	
56	SA9172001	1	滚轮轴位螺钉	ROLLER SHOULDER SCREW	
57	028050243	1	弹簧垫圈 2-5	WASHER, SPRING 2-5	
58	021500316	1	六角螺母 M5	NUT 3 M5	
59	S50511101	1	滚轮	DIFFERENTIAL ARM ROLLER	
60	SA9171001	1	限位板	STOPPER	
61	S59893001	1	螺栓SM4.37-40X10	BOLT, SOCKET SM4.37-40X10	
62	025680132	1	平垫圈 S4.37	WASHER PLAIN S SM4.37	
63	018061632	1	内六角螺栓 M6X16	BOLT SOCKET M6X16	

ST-880B-409

R. 底线剪切装置 / Lower thread trimmer mechanism

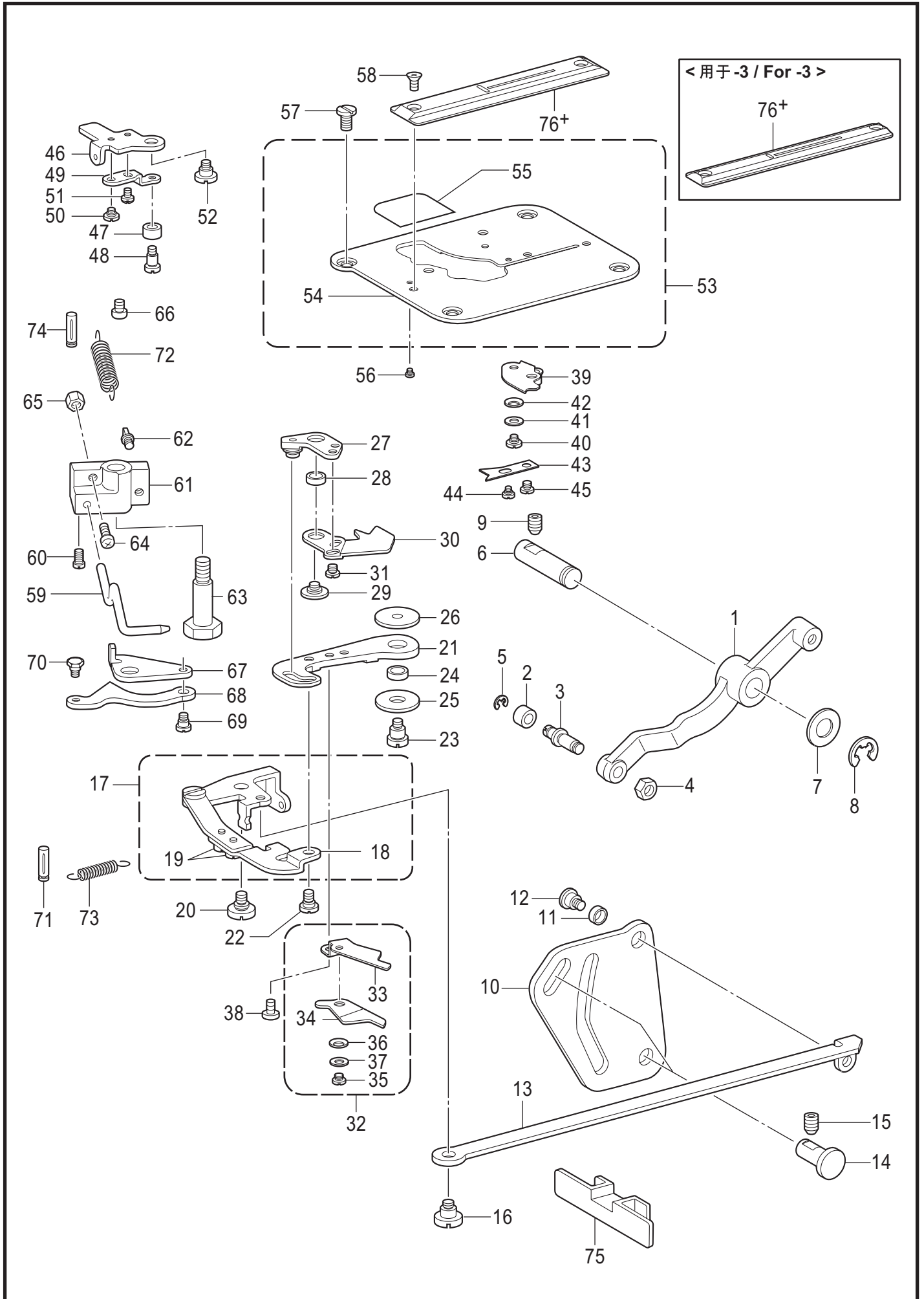


R. 底线剪切装置 / Lower thread trimmer mechanism

参照号	零部件序号	数量	零部件名称	NAME OF PARTS	RM
1	S50246001	1	下切线凸轮曲柄	LOWER THREAD TRIMMER CAM LEVER	
2	107744001	1	滚轮	ROLLER	
3	141519001	1	滚轮短轴	ROLLER SHAFT	
4	110161004	1	螺母 SM4.76	NUT SM4.76	
5	048030342	1	挡圈 E3	RETAINING RING E3	
6	159267001	1	凸轮轴	CAM SHAFT, ;L-TR	
7	110494001	1	垫圈	WASHER PLAIN 9.5	
8	048080342	1	挡圈 E8	RETAINING RING E8	
9	014760632	1	螺钉 SM5.95-28X6	SET SCREW SOCKET SM5.95-28X6	
10	S50247101	1	下切线凸轮	LOWER THREAD TRIMMER CAM	
11	S50411101	1	驱动柄滚轮	DRIVING LEVER ROLLER	
12	145478101	1	轴位螺钉 SM4.76	SHOULDER SCREW, SOCKET SM4.76	
13	S50248101	1	下切线凸轮连杆	L-THREAD TRI.CAM CONNECTIN ROD	
14	150491101	2	轴	LEVER SHAFT	
15	014760632	2	螺钉 SM5.95-28X6	SET SCREW SOCKET SM5.95-28X6	
16	159269001	1	轴位螺钉	SHOULDER SCREW, SM4.37	
17	S50249201	1	下切线连杆组件	LOWER THREAD TRIMMER LINK ASSY	
18	S59987101	1	下切线连杆A	LOWER THREAD CONNECTING ROD A	
19	062680512	2	螺钉 SM4.37-40X5	SCREW PAN SM4.37-40X5	
20	149127001	1	轴位螺钉 SM4.37	SHOULDER SCREW SM4.37	
21	S50252001	1	切刀作动杆	KNIFE DRIVING LEVER	
22	113730001	1	轴位螺钉 SM4.37	SHOULDER SCREW, SM4.37	
23	159272001	1	轴位螺钉	SHOULDER SCREW	
24	S00903001	1	管套	COLLAR	
25	S00901001	1	垫圈 U	WASHER, PLAIN L 6.4 :U	
26	SA3001001	1	垫圈 D	WASHER, PLAIN L 4.8 :D	
27	S50253001	1	扫线器驱动杆组件	LEVER ASSY	
28	S50257001	1	管套	COLLAR	
29	S00712101	1	螺钉 SM4.37	SCREW, SM4.37	
30	S50258201	1	底线扫线器	LOWER THREAD RETAINER	
31	110215002	2	螺钉 SM3.57	SCREW SM3.57	
32	S50259101	1	下定刀总组件	LOWER FIXED KNIFE UNIT	
33	S50260101	1	下定刀组件	LOWER FIXED KNIFE ASSY	
34	S50263001	1	下动刀	MOVABLE KNIFE	
35	060630312	1	螺钉 SM2.38-56X3	SCREW BIND SM2.38-56X3	
36	S50264000	1	垫圈4302	WASHER	
37	025040132	1	平垫圈 S4	WASHER PLAIN S 4	
38	060670412	2	螺钉 SM3.57-40X4	SCREW BIND SM3.57-40X4	
39	S50265001	1	底线夹板组件	LOWER THREAD CLAMP PLATE ASSY	
40	141514001	1	轴位螺钉 SM3.18	SHOULDER SCREW, SM3.18	
41	025040132	1	平垫圈 S4	WASHER PLAIN S 4	
42	S50269000	1	垫圈5011	WASHER	
43	S50270000	1	压线板	LOWER THREAD PRESSER	
44	145371001	1	轴位螺钉 SM2.38	SHOULDER SCREW, SM2.38	
45	110215002	1	螺钉 SM3.57	SCREW SM3.57	
46	S52433001	1	开启夹线器板 A	OPENING PLATE A	
47	110167001	1	滚轮	ROLLER	
48	110168001	1	滚轮轴	ROLLER SHAFT	
49	S52434001	1	开启夹线器板 B	OPENING PLATE, B	
50	141514001	1	轴位螺钉 SM3.18	SHOULDER SCREW, SM3.18	
51	123185001	1	螺钉 SM3.57X4.5	SCREW, ROUND SM3.57X4.5	
52	149127001	1	轴位螺钉 SM4.37	SHOULDER SCREW SM4.37	
53	S52778301	1	针板基板组件	BASE PLATE ASSY	
54	S50303301	1	针板基板	BASE PLATE	
55	S52770000	1	针板盖	NEEDLE PLATE COVER	
56	105970001	1	螺钉 SM2.38	SCREW, SM2.38	
57	106629002	4	螺钉 SM4.37	SCREW, SM4.37	
58	S01696001	2	平头螺钉 SM3.57X6	SCREW, FLAT SM3.57X6	
59	S50323000	1	梭芯压杆	BOBBIN PRESSER	
60	S01998001	1	螺钉 SM3.57-40X6	SET SCREW, SM3.57-40X6	
61	S50324001	1	梭芯压杆座	BOBBIN PRESSER BRACKET	
62	107639001	1	弹簧挂钩 U	SPRING HOOK, U	
63	159924001	1	轴位螺钉	SHOULDER SCREW	

ST-880B-410

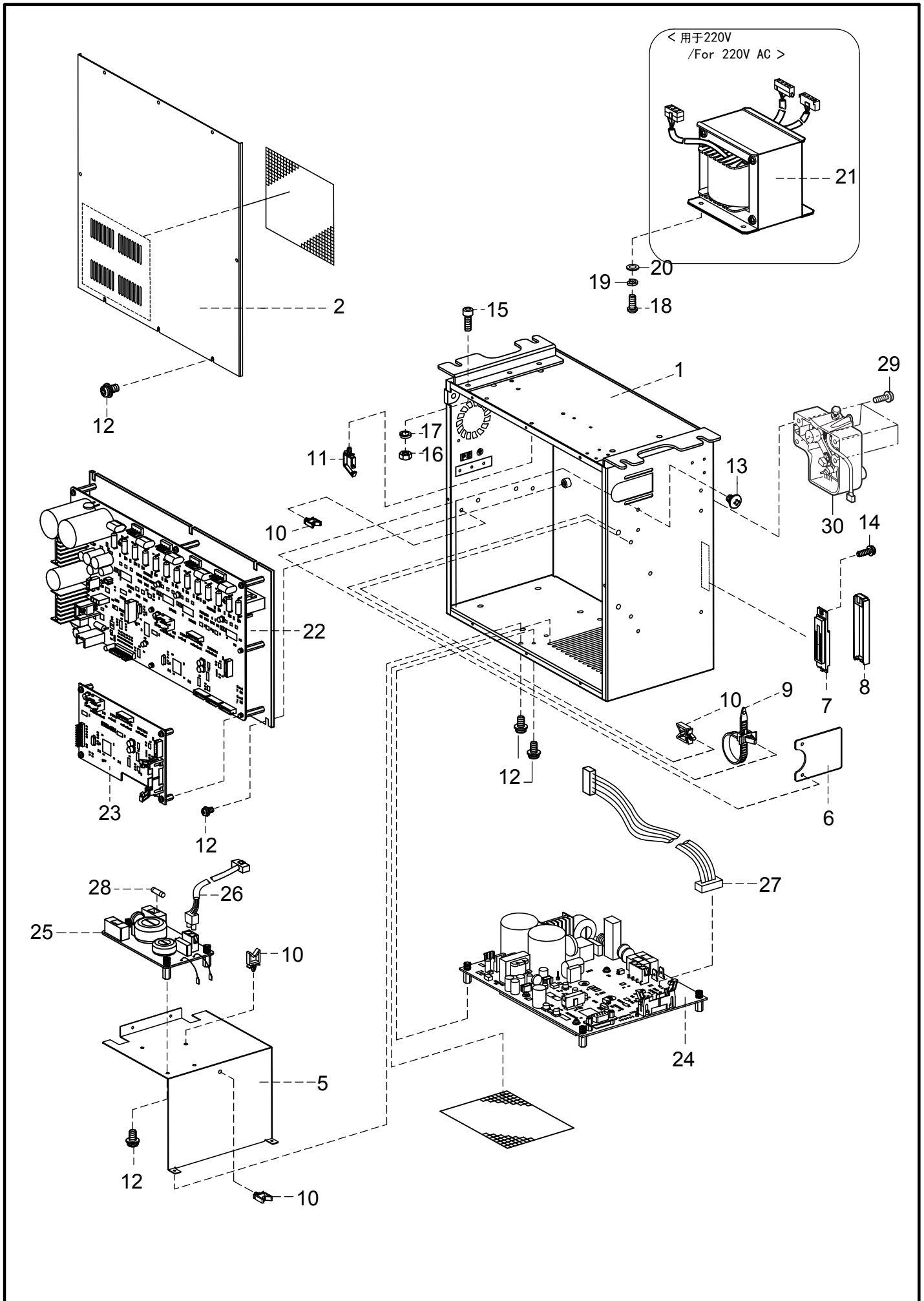
R. 底线剪切装置 / Lower thread trimmer mechanism



R. 底线剪切装置 / Lower thread trimmer mechanism

参照号	零部件序号	数量	零部件名称	NAME OF PARTS	RM
64	062671612	1	螺钉 SM3.57-40X16	SCREW PAN SM3.57-40X16	
65	021670202	1	螺母 SM3.57-40	NUT 2 SM3.57-40	
66	062680512	2	螺钉 SM4.37-40X5	SCREW PAN SM4.37-40X5	
67	S50325001	1	辅助板	AUXILIARY PLATE	
68	S50326001	1	压杆开板	OPENING PLATE	
69	159113101	1	轴位螺钉 SM3.18	SHOULDER SCREW SM3.18	
70	105237002	1	轴位螺钉 SM3.57	SHOULDER SCREW SM3.57	
71	159379001	1	带槽销BX6X18	PIN, DOWEL BX6X18	
72	S50327001	2	弹簧	EXTENSION SPRING	
73	S50328001	1	弹簧	PLATE SPRING	
74	159379001	1	带槽销BX6X18	PIN, DOWEL BX6X18	
75	S50329000	1	下切线连杆盖	COVER	
76+	S50664001	1	<用于-2> 针板 1.4S	<For -2> NEEDLE PLATE, 1.4S	
76+	S51248101	1	<用于-3> 针板 1.2S-3	<For -3> NEEDLE PLATE 1.2S-3	

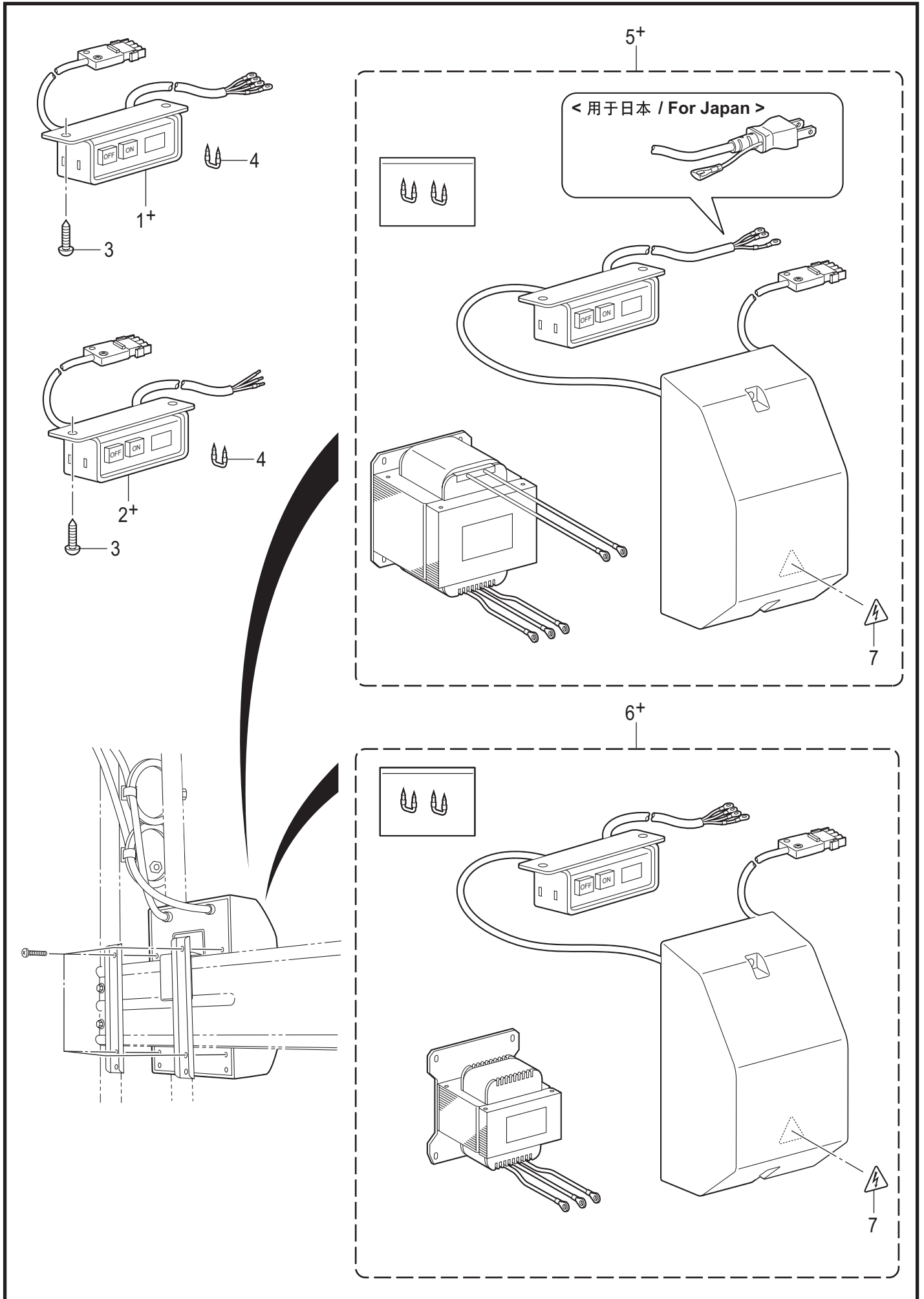
S1. 控制箱/Control box



S1. 控制箱 / Control box

参照号	零部件序号	数量	零部件名称	NAME OF PARTS	RM
1	20307034	1	控制箱外壳	CONTROL BOX SHELL	
2	XS430043	1	控制箱盖板	CONTROL BOX COVER PLATE	
5	XS430018	1	变压器隔离板	TRANSFORMER ISOLATION PLATE	
6	XS430019	1	卡线板	CARD LINE BOARD	
7	SLJ0178	1	CF卡座	CF BOOTH	
8	SA3573001	1	CF卡套	CF CARD SET	
9	QT00030	1	固定式扎带	FIXED CABLE TIE	
10	QT00021	5	马鞍式扣线套 1N	SADDLE TYPE BUCKLE LINE SET 1N	
11	QT00023	4	插销式扣线套 1715	BAYONET CLASP LINE SETS 1715	
12	LS00011	25	三组合螺钉 M4×8	THREE COMBINATION SCREW M4×8	
13	LS00010	2	扁圆头十字螺丝 M4×6	OVAL HEAD CROSS SCREWS M4×6	
14	LS00004	2	三组合螺钉 M3×10	THREE COMBINATION SCREW M3×10	
15	LS00036	4	内六角螺丝 M6×18	SOCKET HEAD SCREW M6×18	
16	SA3227001	4	螺母 M6	NUT M6	
17	LS00037	4	弹簧垫圈 M6	SPRING WASHER M6	
18	LS00020	4	圆头十字螺丝 M5×12	ROUND HEAD CROSS SCREWS M5×12	
19	LS00031	4	弹簧垫圈 M5	SPRING WASHER M5	
20	LS00032	4	平垫圈 M5	FLAT WASHER	
21	20307035	1	<用于220V> 工频变压器	<FOR 220V AC> POWER FREQUENCY TRANSFORMER	
22	20307002	1	主控基层板	PCB ASSY,MAIN	
23	20307003	1	主控小板	PCB ASSY,SMALL MAIN	
24	20307004	1	基板组件 PMD	PCB ASSY,PMD	
25	20307006	1	CE滤波器组件	CE FILTER BOX ASSY	
26	20307036-1	1	<用于220V> 电压转换线 220V	<FOR 220V AC> VOLTAGE SELECT HARNESS 220V	
	20307036-2	1	<用于380V> 电压转换线 380V	<FOR 380V AC> VOLTAGE SELECT HARNESS 380V	
27	20307022	1	彩排数据线	HARNESS,MAIN POWER COMMUNICATION	
28	BXS0007	2	保险丝 250V-8A	G PUSE S 8A	
29	BXS0007	2	三组合螺钉 M5×14	THREE COMBINATION SCREW M5×14	
30	SA9602001	1	踏板控制器组件	TREADLE UNIT -EX	

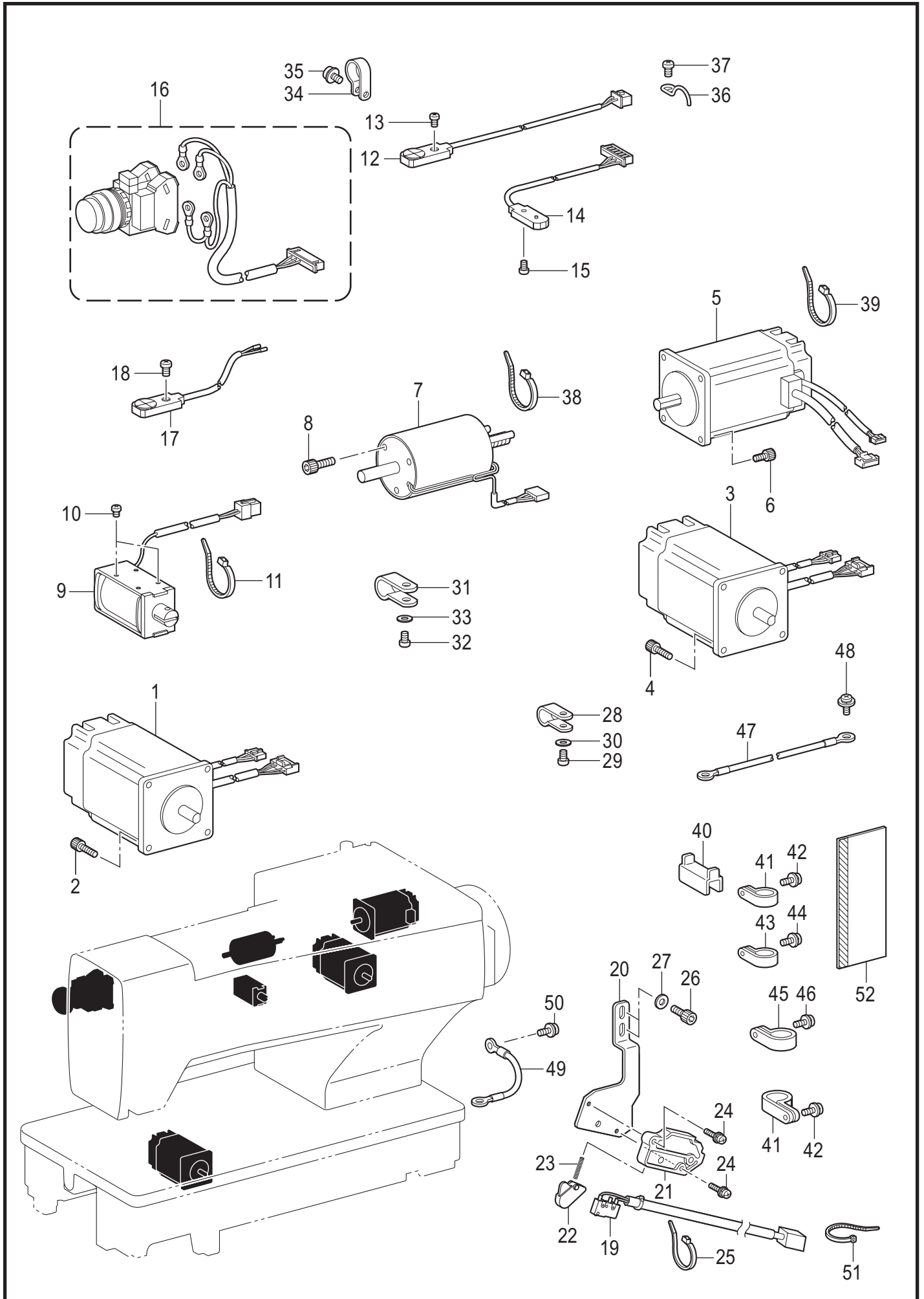
S2. 控制箱 / Control box



S2. 控制箱 / Control box

参照号	零部件序号	数量	零部件名称	NAME OF PARTS	RM
1+	SA9616001	1	<三相 200V AC 用> <日本向用> 电源开关组件 SJT	<For Three phase 200V AC> <For Japan> POWER SWITCH ASSY SJT	
1+	SA9831001	1	<用于三相 220V> <用于北美和墨西哥> 电源开关组件 SJT#2	<For Three phase 220V AC> <For USA, Canada and Mexico> POWER SWITCH ASSY SJT#2	
2+	SA9535001	1	<用于单相 220V> <用于亚洲,欧洲及一般出口> 电源开关组件CCC	<For Single phase 220V AC> <For Asia, General and Europe> POWER SUPPLY SWITCH ASSY CCC	
2+	BMP3010-0000001-3S00	1	<用于单相 220V> <用于中国> 电源开关组件 CCC#2	<For Single phase 220V AC> <For China> POWER SWITCH 220V	
3	S03816001	2	圆头木螺钉 M4.5X16	WOOD SCREW M4.5X16	
4	200190001	5	U形卡钉	STAPLE 10X20	
5+	SB1229001	1	<用于单相 100V> <用于日本> 变压器箱备品组件	<For Single phase 100V> <For Japan> TRANCE BOX 100V SUPPLY	
5+	BMP3010-0000000-2ST1	1	<用于北美和墨西哥> 变压器箱	<For USA, Canada and Mexico> TRANSFORMER BOX	
6+	BMP3010-0000000-3ST4	1	<用于三相 380V> <用于亚洲和一般出口> 变压器箱	<For Three phase 380V> <For General and Asia> TRANSFORMER BOX	
6+	BMP3010-0000001-3ST4	1	<用于中国> 变压器箱	<For China> TRANSFORMER BOX	
6+	BMP3010-0000000-4ST4	1	<用于三相 400V> <用于欧洲> 变压器箱	<For Three phase 400V> <For Europe> TRANSFORMER BOX	
7	SA9914001	1	感电标签 25 X 28	LABEL ELECTRICAL SHOCK 25 X 28	

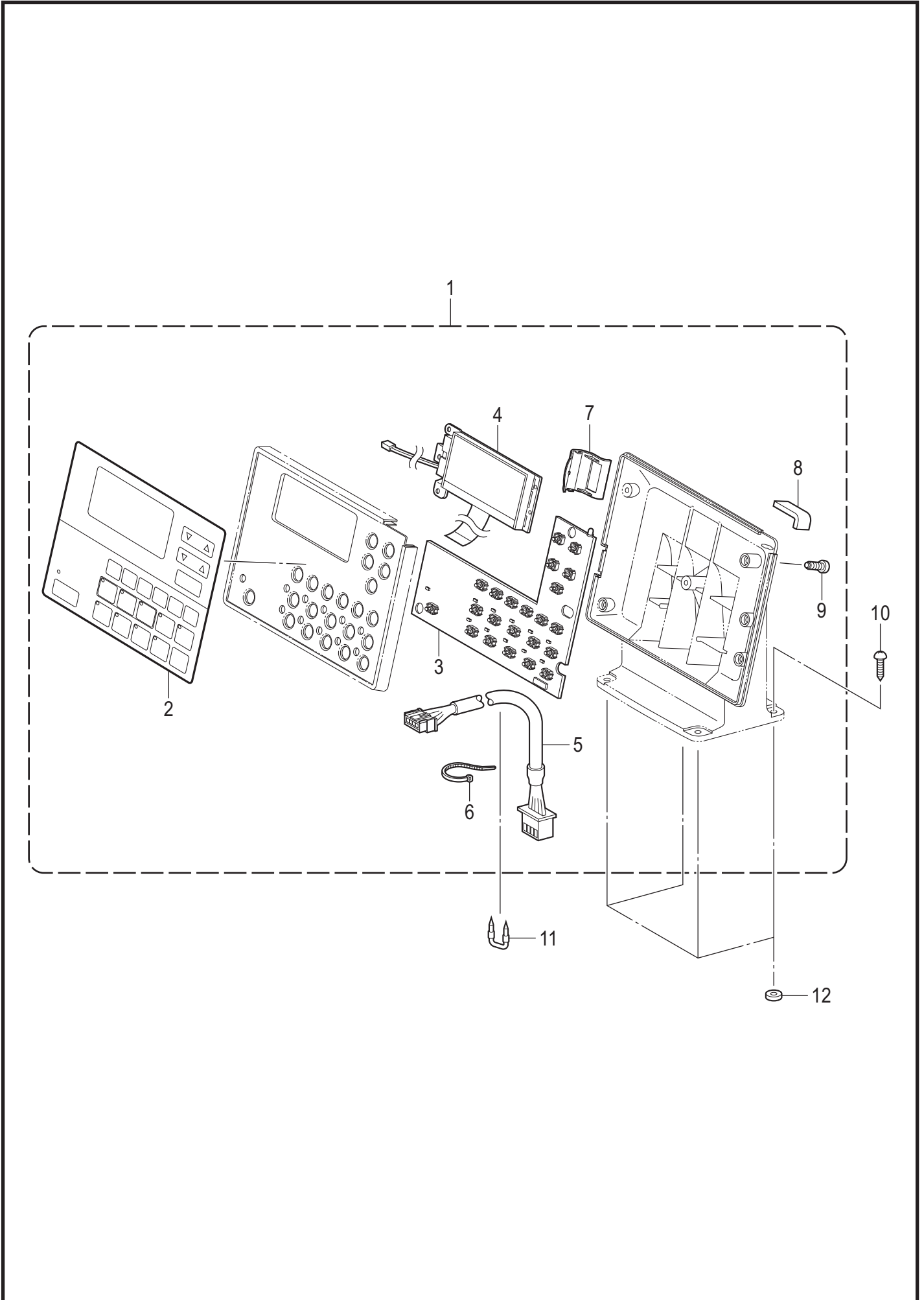
T. 电气部品 / Power supply equipment



T. 电气部品 / Power supply equipment

参照号	零部件序号	数量	零部件名称	NAME OF PARTS	RM
1	SB3677001	1	送布脉冲电机组件	PULSE MOTOR FEED ASSY	
2	018401032	4	内六角螺栓 M4X10	BOLT SOCKET M4X10	
3	SB3678001	1	压脚脉冲电机组件	PULSE MOTOR FT ASSY	
4	018401232	4	螺栓 M4X12	BOLT SOCKET M4X12	
5	SB3676001	1	摆针脉冲电机组件	PULSE MOTOR ZIGZAG ASSY	
6	018401232	4	螺栓 M4X12	BOLT SOCKET M4X12	
7	SB3382001	1	切刀电磁铁	CUTTER SOLENOID	
8	018501032	3	螺栓 M5X10	BOLT SOCKET M5X10	
9	SB3381001	1	松线电磁铁	TENSION RELEASE SOLENOID	
10	062300506	2	螺钉 M3X5	SCREW PAN M3X5	
11	228475000	1	电线夹 1.9X80	FASTENING BAND 1.9X80	
12	SB3384001	1	送布传感器	FEED SENSOR	
13	062300816	1	螺钉 M3X8	SCREW PAN M3X8	
14	SB3383001	1	切刀传感器	CUTTER SENSOR	
15	062300816	1	螺钉 M3X8	SCREW PAN M3X8	
16	SB3739001	1	开关电线组件	STOP SWITCH HARNESS ASSY	
17	SB3385101	1	断线传感器	THREAD BREAKAGE SENSOR	
18	062300816	1	螺钉 M3X8	SCREW PAN M3X8	
19	SB3742001	1	微处理开关组件	MICRO SWITCH ASSY	
20	SB3729001	1	安全开关板	SAFETY SWITCH PLATE	
21	SA9865001	1	开关基座	SAFETY SWITCH BASE	
22	SA9866001	1	开关手柄	SAFETY SWITCH LEVER	
23	SA9867001	1	开关弹簧	SAFETY SWITCH SPRING	
24	SA7293001	2	螺钉(带垫圈) M3X12	SCREW PAN (S/P W) M3X12	
25	S04159000	1	线夹1M	BAND 1M	
26	018400836	2	螺栓 M4X8	BOLT SOCKET M4X8	
27	026040236	2	平垫圈 M4	WASHER PLAIN M 4	
28	625010000	1	尼龙夹 NK-2N	NYLON CLAMP NK-2N	
29	062670812	1	螺钉 SM3.57-40X8	SCREW PAN SM3.57-40X8	
30	025350132	1	平垫圈 S3.5	WASHER PLAIN S 3.5	
31	525664000	3	电线夹 #6	CORD HOLDER #6	
32	062670612	3	螺钉 SM3.57-40X6	SCREW PAN SM3.57-40X6	
33	025350132	3	平垫圈 S3.5	WASHER PLAIN S 3.5	
34	S10243000	4	尼龙夹 NK-3N	CORD HOLDER: NK-3N	
35	0A4400806	4	螺钉(带垫圈) M4X8DA	SCREW PAN (S/P WASHER) M4X8	
36	152969001	1	电线夹	CORD HOLDER	
37	062300616	1	螺钉 M3X6	SCREW PAN M3X6	
38	228475000	2	电线夹 1.9X80	FASTENING BAND 1.9X80	
39	218859001	1	电线夹 M150	BINDER M150	
40	S50565001	1	电线套	CORD BUSH	
41	554482000	2	电线夹 #12	CORD HOLDER #12	
42	0A5401006	2	螺钉(带垫圈) M4X10DB	SCREW PAN (S/P WASHER) M4X10	
43	S00470000	1	电线夹 #16	CORD HOLDER 16N	
44	0A5401006	1	螺钉(带垫圈) M4X10DB	SCREW PAN (S/P WASHER) M4X10	
45	S00470000	1	电线夹 #16	CORD HOLDER 16N	
46	0A5401006	1	螺钉(带垫圈) M4X10DB	SCREW PAN (S/P WASHER) M4X10	
47	SB3918001	1	接地线	GROUND WIRE	
48	0A5401006	1	螺钉(带垫圈) M4X10DB	SCREW PAN (S/P WASHER) M4X10	
49	S38145000	1	接地线 2	GROUND WIRE 2	
50	0A5401006	1	螺钉(带垫圈) M4X10DB	SCREW PAN (S/P WASHER) M4X10	
51	218859001	4	电线夹 M150	BINDER M150	
52	SB4103001	1	粘链管 40X300	QUICK TUBE ASSY 40X300	

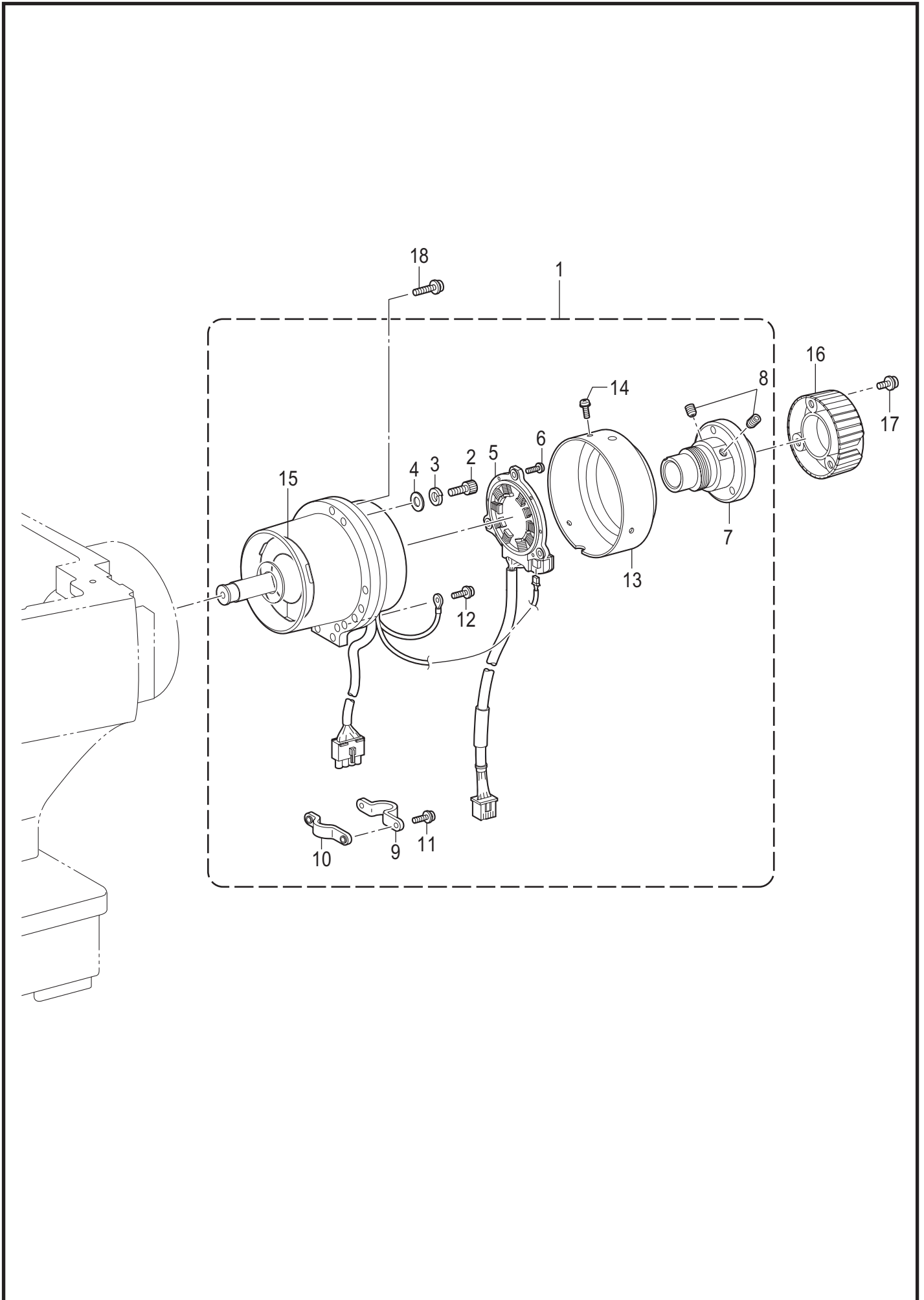
U. 操作盘 / Operation panel



U. 操作盘 / Operation panel

参照号	零部件序号	数量	零部件名称	NAME OF PARTS	RM
1	SB3400101	1	操作盘组件	OPERATION PANEL ASSY	
2	SB3402001	1	操作盘面板	PANEL SHEET	
3	SB3754001	1	LCD操作盘基板组件	LCD PANEL PCB ASSY	
4	SB3924001	1	灯光板组件	LIGHT PLATE ASSY	
5	SB0553001	1	操作盘接线	PANEL HARNESS	
6	220681001	1	电线夹 2.2X85	CABLE TIE	
7	SB0566001	1	存储卡罩	CARD COVER	
8	SB0567101	1	LED 盖	LED COVER	
9	085311016	6	螺钉 B M3X10	TAPTITE BIND B M3X10	
10	0B0452006	4	圆头木螺钉 M4.5X20	WOOD SCREW ROUND M4.5X20	
11	200190001	3	U形卡钉	STAPLE 10X20	
12	S43675000	4	缓震垫 B	CUSHION, B	

V. 马达装置 / Motor mechanism

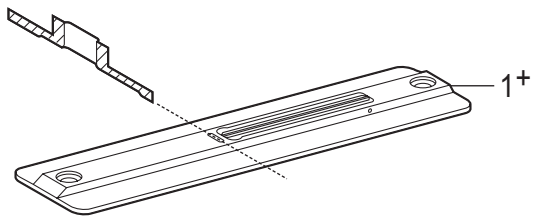


V. 马达装置 / Motor mechanism

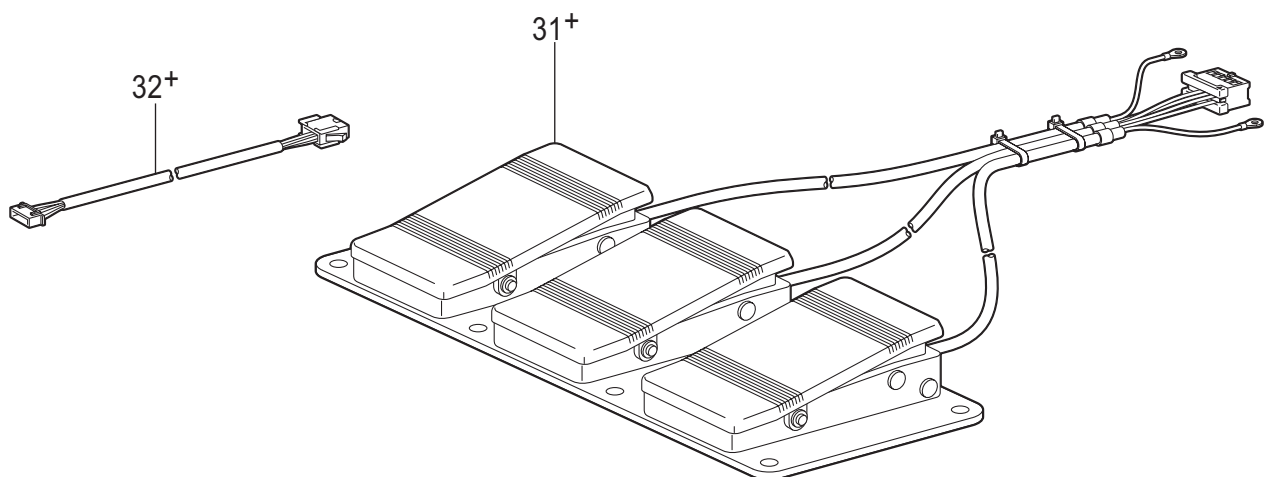
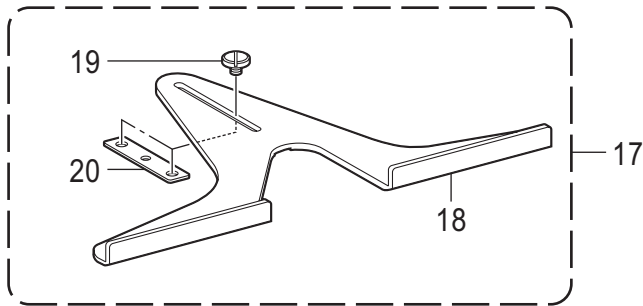
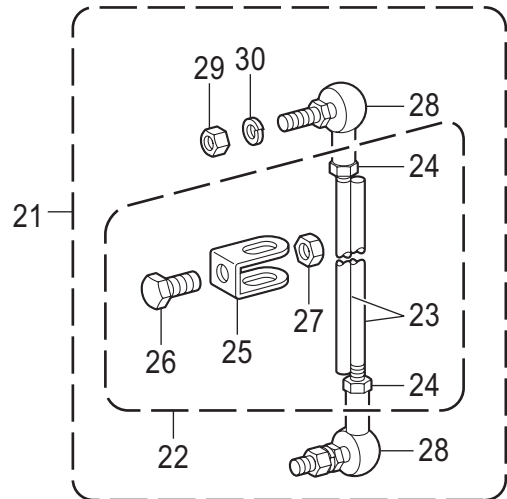
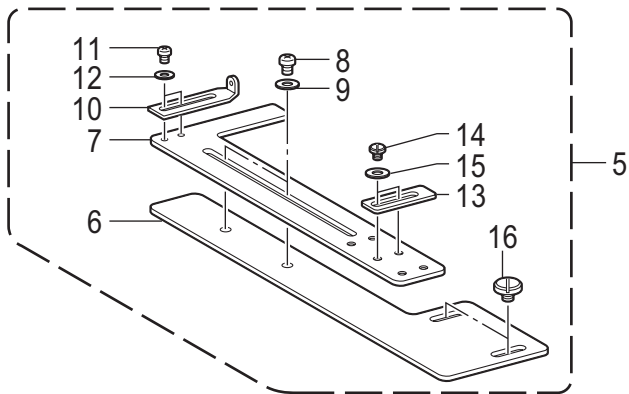
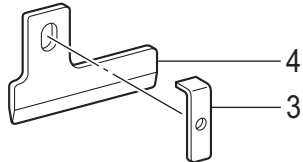
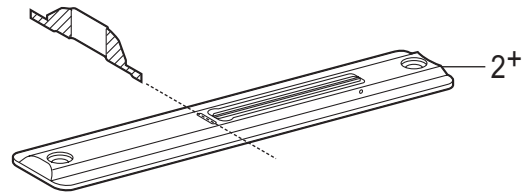
参照号	零部件序号	数量	零部件名称	NAME OF PARTS	RM
1	SB4059001	1	备用马达(880)组件	MOTOR 880 SUPPLY	
2	018501232	3	螺栓 M5X12	BOLT SOCKET M5X12	
3	028050247	3	弹簧垫圈 2-5	WASHER SPRING 2-5	
4	SA9436001	3	平垫圈 5	WASHER PLAIN 5	
5	SB3642001	1	传感定子(880)组件	RESOLVER STATOR 880 ASSY	
6	0A4301206	3	螺钉(带垫圈) M3X12DA	SCREW PAN (S/P WASHER) M3X12	
7	SB3645001	1	上轮保持架(880)组件	PULLEY HOLDER 880 ASSY	
8	012501032	2	螺钉 M5X10	SET SCREW SOCKET (FT) M5X10	
9	SA9447001	1	线夹A	CORD HOLDER A	
10	SA9448001	1	线夹B	CORD HOLDER B	
11	0A4401606	2	螺钉(带垫圈) M4X16DA	SCREW PAN (S/P WASHER) M4X16	
12	0A4401006	1	螺钉(带垫圈) M4X10DA	SCREW PAN (S/P WASHER) M4X10	
13	SA9449001	1	传感定子罩	RESOLVER COVER	
14	0A4300806	3	螺钉(带垫圈) M3X8DA	SCREW PAN (S/P WASHER) M3X8	
15	SB1570001	1	挡尘片	GUARD SHEET	
16	SB3700101	1	上轮	PULLEY	
17	SA3025001	3	螺栓(带垫圈) M4X10DA	SCREW PAN(S/P WASHER)M4X10	
18	SA9856001	3	螺钉 M5X20	SCREW PAN M5X20	

W. 附属装置(选购件) / Attachment set (Option parts)

< 用于棉布 / For General materials >



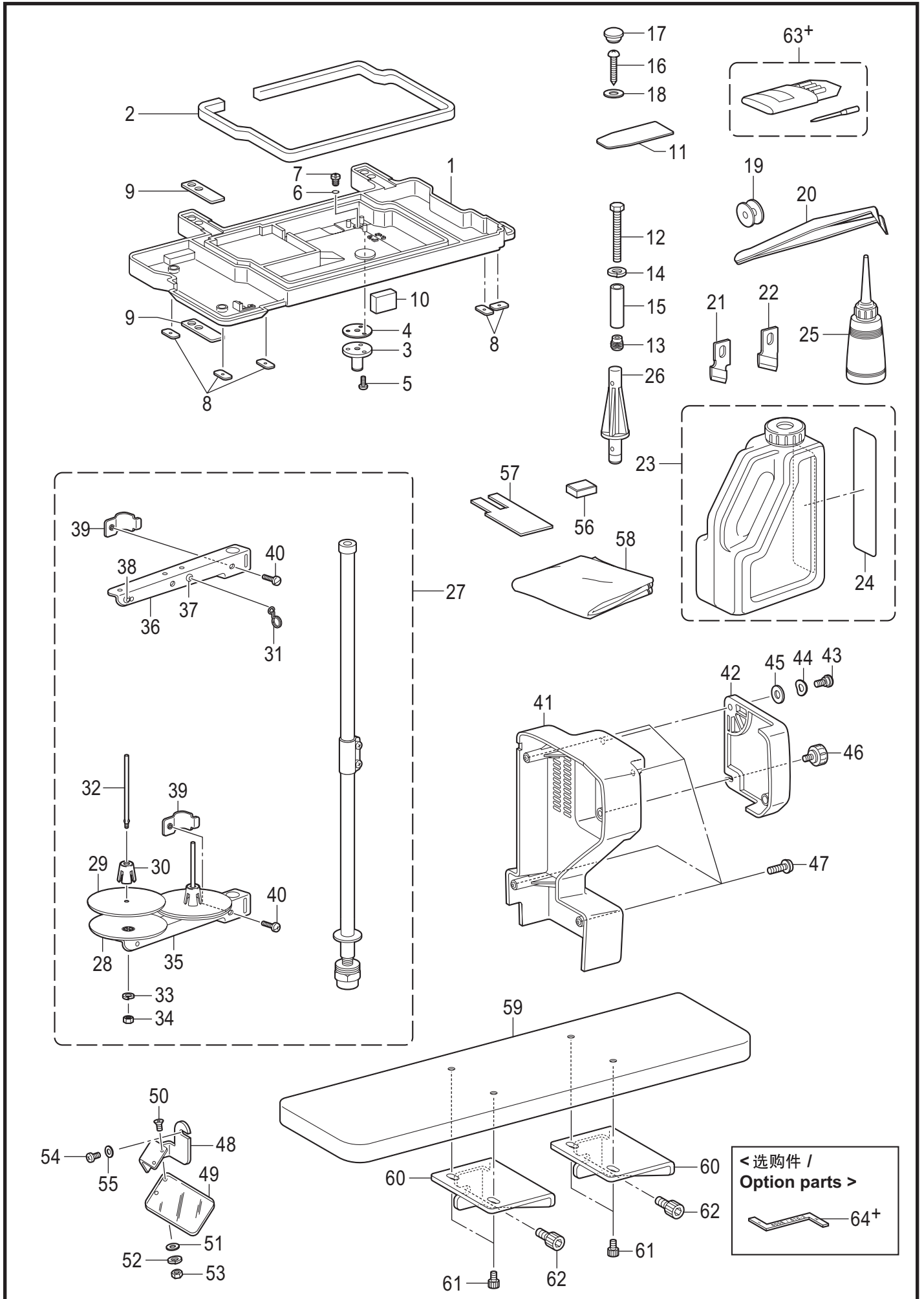
< 用于编织物 / For Knitted materials >



W. 附属装置（选配件） / Attachment set (Option parts)

参照号	零部件序号	数量	零部件名称	NAME OF PARTS	RM
1+	S50304001	1	<用于棉布> <针孔: 1.2X5.4mm> 针板1.2S-RB组件	<For General materials> <Needle hole: 1.2X5.4mm> NEEDLE PLATE ASSY, 1.2S-RB	
1+	S50309001	1	<针孔: 1.4X7.3mm> 针板1.4S-RB组件	<Needle hole: 1.4X7.3mm> NEEDLE PLATE ASSY, 1.4S-RB	
1+	S50311001	1	<针孔: 1.6X7.3mm> 针板1.6S-RB组件	<Needle hole: 1.6X7.3mm> NEEDLE PLATE ASSY, 1.6S-RB	
2+	S50313101	1	<用于编织物> <针孔: 1.2X5.4mm> 针板1.2S-RB组件-3	<For Knitted materials> <Needle hole: 1.2X5.4mm> NEEDLE PLATE ASSY, 1.2-RB-3	
2+	S50317101	1	<针孔: 1.4X6.8mm> 针板1.4S-RB组件-3	<Needle hole: 1.4X6.8mm> NEEDLE PLATE ASSY, 1.4S-RB-3	
2+	S50319101	1	<针孔: 1.4X6.8mm> 针板1.6S-RB组件-3	<Needle hole: 1.6X6.8mm> NEEDLE PLATE ASSY, 1.6S-RB-3	
3	S50297001	1	压刀板	CUTTER HOLDER	
4	S50341001	1	定位板	POSITIONING PLATE	
5	S50477001	1	定规组件	RULER ASSY	
6	S06139001	1	定规 A	RULER, A	
7	S06140001	1	定规 B	RULER, B	
8	062680512	2	螺钉 SM4.37-40X5	SCREW PAN SM4.37-40X5	
9	SB2256001	2	平垫圈 M4.37	WASHER PLAIN M SM4.37	
10	146000001	1	支架	THREAD TRIMMER SUPPORT	
11	062670412	2	螺钉 SM3.57-40X4	SCREW PAN SM3.57-40X4	
12	105161004	2	垫圈	WASHER, PLAIN	
13	141620001	1	平衡块	BALANCER	
14	101671002	2	螺钉 SM4.37	SCREW, SM4.37	
15	025680132	2	平垫圈 S4.37	WASHER PLAIN S SM4.37	
16	S36522001	2	螺钉 SM4.37	SCREW, SM4.37	
17	S50350001	1	定规组件800E	RULER ASSY, 800E	
18	S50476001	1	横定规	RULER	
19	S36522001	2	螺钉 SM4.37	SCREW, SM4.37	
20	S50351001	1	横定规用垫片	RULER SPACER	
21	133797121	1	连接杆组件	CONNECTING ROD ASSY	
22	119710021	1	拉杆组件	CONNECTING ROD ASSY	
23	119711021	2	拉杆	CONNECTING ROD	
24	S36119021	2	螺母 M6	NUT 1 M6	
25	119101021	1	拉杆连接夹	CONNECTING ROD CLAMP	
26	S36114021	1	螺栓 M8X16	BOLT M8X16	
27	S36120021	1	螺母 M8	NUT 1 M8	
28	133792121	2	拉杆接头弹子组件	JOINT ASSY	
29	S36119021	2	螺母 M6	NUT 1 M6	
30	S36121021	2	弹簧垫圈 2-6	WASHER SPRING 2-6	
31+	SA6495101	1	<用于欧洲以外> 3连脚踏开关组件	<Except for Europe> 3-PEDAL FOOT SW ASSY	
32+	SB1565001	1	脚开关变换配线	CONVERSION HARNESS FOOT SW	
31+	SA64951E1	1	<用于欧洲> 3连脚踏开关组件	<For Europe only> 3-PEDAL FOOT SW ASSY	
32+	SB15660E1	1	脚开关变换配线.E	CONVERSION HARNESS FOOT SW.E	

Z. 附件 / Accessories



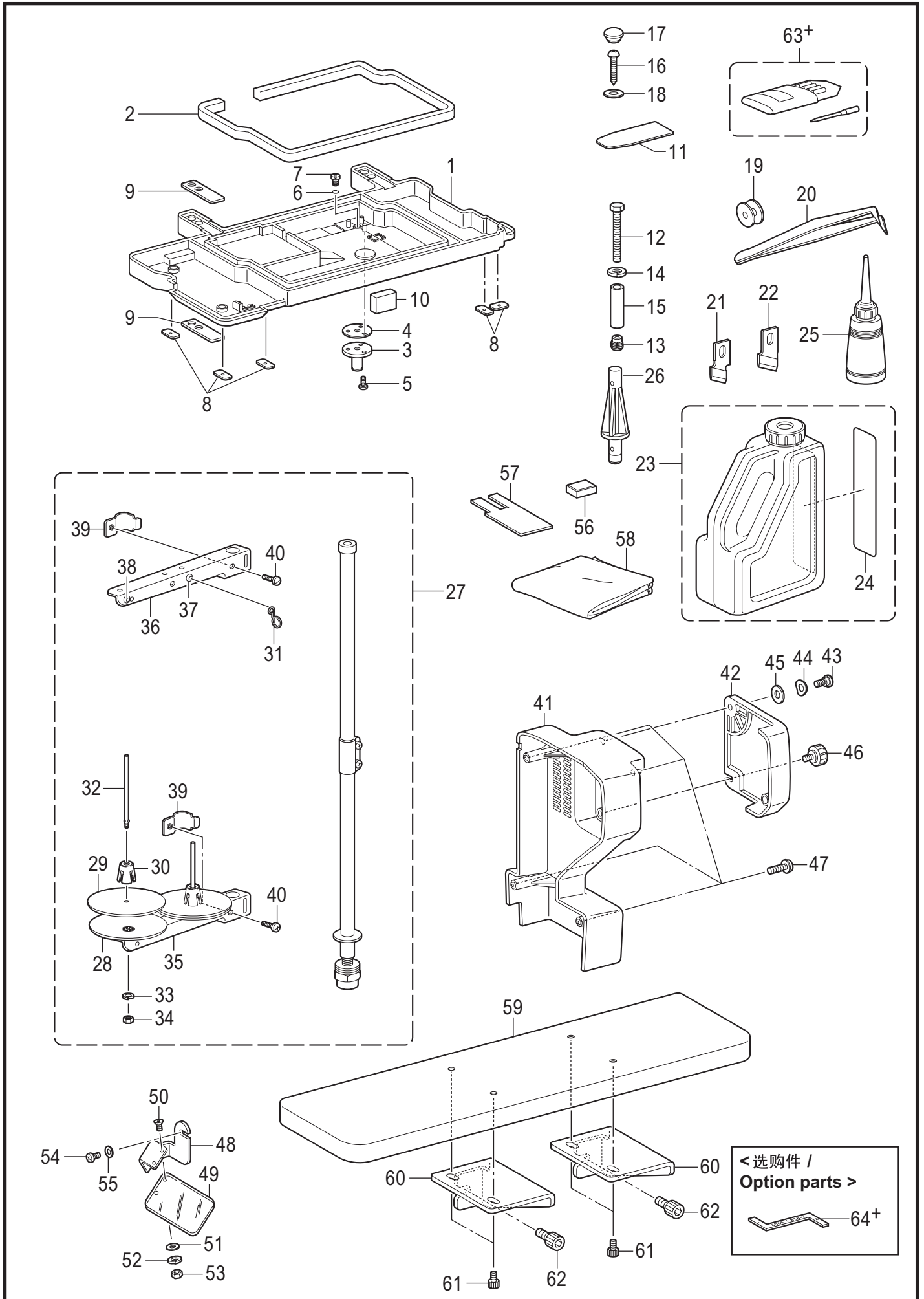
< 选购件 / Option parts >
 64+

Z. 附件 / Accessories

参照号	零部件序号	数量	零部件名称	NAME OF PARTS	RM
1	SB3360001	1	底板台	BED BASE	
2	S50332000	1	油盘垫片	OIL PACKING	
3	S54768001	1	出油板	DRAIN PLATE	
4	S50334000	1	出油口垫片	PACKING	
5	037401415	3	螺销 M4X14	TAPPING SCREW PAN V M4X14	
6	081007070	1	O形圈 P7	O RING P7	
7	140518021	1	螺钉 SM7.94X10	SCREW SM7.94X10	
8	S50335000	5	底板座缓冲垫A	BED BASE CUSHION, A	
9	S50336000	4	底板座缓冲垫B	BED BASE CUSHION, B	
10	S50337000	2	底板座缓冲垫C	BED BASE CUSHION, C	
11	S50338000	1	挡油板	OIL STOPPER PLATE	
12	S24250001	4	螺栓M8X90	BOLT M8X90	
13	S50342000	4	法兰式接头M8	FLANGE NUT, M8	
14	028080246	4	弹簧垫圈 2-8	WASHER SPRING 2-8	
15	S50339001	4	管套	COLLAR	
16	101118001	3	圆头木螺钉 M4.5X20	WOOD SCREW, ROUND M4.5X20	
17	104449001	2	橡皮塞 15.5	RUBBER CAP, 15.5	
18	025050236	3	平垫圈 M5	WASHER PLAIN M 5	
19	159158051	1	梭芯	BOBBIN	
20	117466100	1	镊子	PINCETTE	
21	S51290001	1	切刀 3/8	CUTTER, 3/8	
22	S51354001	1	切刀 5/8	CUTTER, 5/8	
23	S55663101	1	油罐组件	OIL TANK ASSY	
24	SB1504001	1	油罐警示标贴	OIL WARNING LABEL	
25	114483002	1	油壶组件	OILER ASSY	
26	SB3361001	1	机头撑杆	HEAD REST	
27	S02763602	1	线架组件 2DR	COTTON STAND ASSY 2DR	
28	S51283001	2	垫圈	SPOOL STAND BASE	
29	150182000	2	线盘软垫	SPOOL MAT	
30	S51282101	2	线轴缓冲架	SPOOL CUSHION	
31	S02747101	1	弹簧	SPRING	
32	150179002	2	线轴 B	SPOOL SHAFT B	
33	028050243	2	弹簧垫圈 2-5	WASHER, SPRING 2-5	
34	021500203	2	螺母 M5	NUT, 2 M5	
35	SA6607001	1	过线架 2	SPOOL HOLDER 2	
36	SA6607001	1	过线架 2	SPOOL HOLDER 2	
37	150183000	2	过线管套	THREAD HANGER BASE	
38	142990001	2	过线架上过线管	THREAD BUSH	
39	SA6609001	2	过线架定位	SPOOL HOLDER SUPPORTER	
40	062061603	2	螺钉 M6X16	SCREW PAN M6X16	
41	SB3751101	1	马达罩盖	MOTOR COVER	
42	SB3721001	1	开启式罩盖	SLIDE COVER	
43	SB3748001	1	轴位螺钉 7-4	SHOULDER SCREW 7-4	
44	120265002	1	弹簧垫圈	SPRING WASHER	
45	S07350002	1	垫圈	WASHER PLAIN	
46	S36475000	1	螺钉 M5	SCREW, M5	
47	SA3025001	4	螺栓(带垫圈) M4X10DA	SCREW PAN(S/P WASHER)M4X10	
48	SB1304001	1	安装架	EYE GUARD SETTING PLATE	
49	143966001	1	护眼板	EYE GUARD	
50	062300816	2	螺钉 M3X8	SCREW PAN M3X8	
51	026030233	2	垫圈 M3	WASHER PLAIN M 3	
52	028030243	2	弹簧垫圈 2-3	WASHER, SPRING 2-3	
53	021300103	2	螺母 M3	NUT, 1 M3	
54	062710612	1	螺钉 SM4.76-32X6	SCREW PAN SM4.76-32X6	
55	148847001	1	垫圈	WASHER PLAIN 4.76	
56	112525020	1	磁块	MAGNET	
57	S54767000	1	辅助垫	AUXILIARY SHEET	
58	144226001	1	机头罩	HEAD COVER	
59	SA9160002	1	辅助工作台板	AUXILIARY TABLE	
60	SA9161001	2	台板支架	TABLE SUPPORT PLATE	
61	018400636	4	螺栓 M4X6	BOLT SOCKET M4X6	
62	018061036	2	螺栓 M6X10	BOLT SOCKET M6X10	

ST-880B-910

Z. 附件 / Accessories



Z. 附件 / Accessories

参照号	零部件序号	数量	零部件名称	NAME OF PARTS	RM
63+	SA9254014	1	<用于-2> 机针组 SA9253(4枚): #14 NM90	<For -2> NEEDLE 4PIECE ASSY SA9253: #14 NM90	
63+	SA9254011	1	<用于-3> 机针组 SA9253(4枚): #11 NM75	<For -3> NEEDLE 4PIECE ASSY SA9253: #11 NM75	
64+	S13595201	1	<选购件> <用于-2> 同步定规 2	<Option parts> <For -2> TIMING GAUGE, -2	
64+	S13596201	1	<用于-3> 同步定规 3	<For -3> TIMING GAUGE, -3	

ST-880B-910





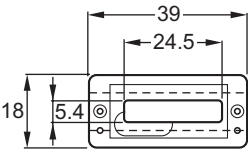

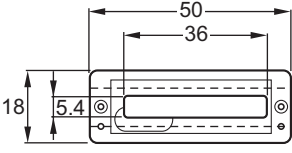

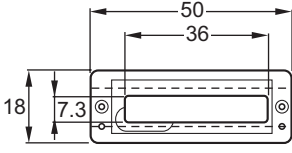




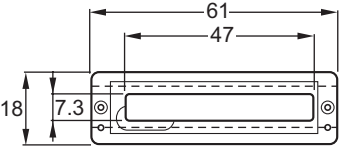

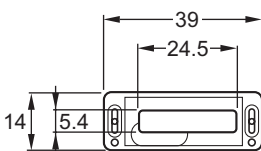

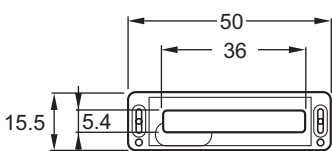



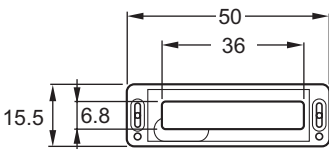

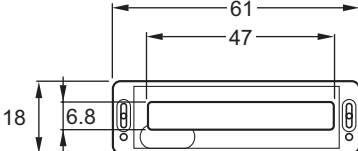
Ga1. 工模具一览表 / Gauge parts list

切刀 / Cutter

<p>S51117-001</p>	<p>S51290-001</p>	<p>S51351-001</p>	<p>S51352-001</p>	<p>S51353-001</p>	<p>S51354-001</p>
<p>S51355-001</p>	<p>S51356-001</p>	<p>S25642-001</p>	<p>S51357-001</p>	<p>S51358-001</p>	
<p>S51359-001</p>		<p>S51360-001</p>		<p>S01271-001</p>	<p>S01272-001</p>
<p>S01273-001</p>	<p>S03280-001</p>	<p>S01274-001</p>	<p>S01275-001</p>	<p>S01276-001</p>	<p>S35630-001</p>

Ga2. 工模具一览表 / Gauge parts list

- ※ 1 压脚组件带护指器 / Work clamp assy, W/F-G
- ※ 2 护指器 / Finger guard
- ※ 3 压脚板 / Work clamp

< 用于-2 / For -2 >		
※ 1 S37101-302 (16mmRS) ※ 2 159079-100 ※ 3 159761-002	※ 1 S37100-402 (25mmRS) ※ 2 159080-100 ※ 3 159762-002	※ 1 S55347-302 (25mmRSW) ※ 2 159080-100 ※ 3 S55345-002
※ 2 	※ 2 	※ 2 
※ 3   缝制范围 4 X 20	※ 3   缝制范围 4 X 32	※ 3   缝制范围 6 X 32
< 用于-2 / For -2 >		< 用于-3 / For -3 >
※ 1 S37109-302 (32mmRS) ※ 2 159081-100 ※ 3 159763-002	※ 1 S37103-301 (16mm) ※ 2 159079-100 ※ 3 145136-001	※ 1 S37102-401 (25mm) ※ 2 159080-100 ※ 3 144630-001
※ 2 	※ 2 	※ 2 
※ 3   缝制范围 6 X 40	※ 3   缝制范围 4 X 20	※ 3   缝制范围 4 X 32
< 用于-3 / For -3 >		
※ 1 S55350-301 (25mmW) ※ 2 159080-100 ※ 3 S55348-001	※ 1 S37110-301 (32mm) ※ 2 159081-100 ※ 3 144632-001	
※ 2 	※ 2 	
※ 3   缝制范围 5.4 X 32	※ 3   缝制范围 5.4 X 40	

Ga3. 工模具一览表 / Gauge parts list



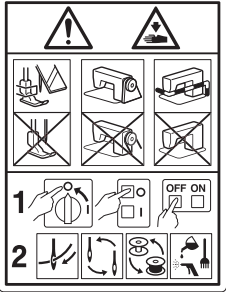




针板 / Needle plate

< 用于 -2 / For -2 >		
S50663-001 (1.2mmS)	S50664-001 (1.4mmS)	S50665-001 (1.6mmS)
< 用于 -3 / For -3 >		
S51248-101 (1.2mm)	S51249-101 (1.4mm)	S51250-101 (1.6mm)

用于平切刀 / For flat cutter

< 用于 -2 / For -2 >	
针板 / Needle plate S50321-001 (1.2mmS)	承受板 / Plastic plate 151843-001
< 用于 -3 / For -3 >	
针板 / Needle plate S50322-101 (1.2mm)	承受板 / Plastic plate 156612-001

Wa. 警告标签 / Warning labels

警告标签 / Warning labels	零部件名称 / Name of parts	尺寸 / Size(mm)	零部件序号 / Code
	<p>感电标签 36 X 150 Label electrical shock 36 X 150</p>	<p>36 X 150</p>	<p>SA9725-001</p>
	<p>感电标签 25 X 28 Label electrical shock 25 X 28</p>	<p>L=28.4</p>	<p>SA9914-001</p>
	<p>操作注意标签 Label caution</p>	<p>56 X 43</p>	<p>SA9826-001</p>
	<p>警告标记 Injury mark</p>	<p>L=16</p>	<p>SA9957-001</p>
	<p>警告标记 Injury mark</p>	<p>L=25</p>	<p>SA9957-002</p>
	<p>接地标记 Label, grounding</p>	<p>φ 12</p>	<p>S37060-001</p>
	<p>PE标记 Label, PE</p>	<p>7.5 X 12.5</p>	<p>S37059-001</p>

Wa. 警告标签 / Warning labels

警告标签 / Warning labels	零部件名称 / Name of parts	尺寸 / Size(mm)	零部件序号 / Code
<div data-bbox="233 224 434 1093" style="border: 1px solid black; padding: 5px;"> <p>Suote 環境対応型マシン油 Environmental corresponding oil</p> <p>▲ 注意 目に入ったり皮膚につくと、炎症を起こすことがある。 保護めがね、手袋を使うこと。 飲み込むと、下痢、嘔吐する。 飲み込まないこと。</p> <p>●子供の手の届かない所に置いてください。 ●目に入った場合は、清浄な水で15分間洗浄し、医師の診断を受けてください。 ●皮膚に触れた場合は、水と石けんで十分に洗ってください。 ●飲み込んだ場合は、無理に吐かせずに、直ちに医師の診断を受けてください。</p> <p>第4類 第3石油類 危険等級III 火気厳禁</p> <p>▲ CAUTION Lubricating oil may cause inflammation to eye and skin. Wear protective glasses and gloves. Swallowing oil can cause diarrhoea and vomiting. Do not swallow.</p> <p>Keep away from children. FIRST AID Eye contact: -Rinse with plenty of cold water. -Seek medical help. Skin contact: -Wash with soap and water. If swallowed: -Seek medical help immediately. -Do not induce vomiting.</p> </div>	<p>油壺警告标贴 Oil warning label</p>	<p>148X34</p>	<p>SB1504-001</p>

CODE	REF.NO	Page	CODE	REF.NO	Page	CODE	REF.NO	Page	CODE	REF.NO	Page
012400536	H - 29	16	021100302	C - 16	6	060670512	N - 75	30	076200800	C - 18	6
012400636	P - 5	32	021300103	Z - 53	52		N - 77	30	081005070	N - 7	28
	P - 26	32	021300206	Q - 36	34	060670612	J - 4	18	081007070	Z - 6	52
012500536	G - 32	14	021500203	Z - 34	52		M - 15	24	081012070	Q - 45	34
012501032	V - 8	48	021500216	G - 5	14		M - 20	24	081014870	N - 70	30
014060632	G - 7	14	021500316	Q - 58	34		M - 59	24	085311016	U - 9	46
	G - 10	14	021660306	K - 4	20		M - 72	26	0A4300806	V - 14	48
	G - 17	14	021670202	R - 65	38	062061603	Z - 40	52	0A4301206	V - 6	48
	L - 3	22	021680202	A - 15	2	062300506	T - 10	44	0A4400806	T - 35	44
014400432	N - 4	28		Q - 20	34	062300616	M - 77	26	0A4401006	V - 12	48
014680632	Q - 50	34	021710202	B - 30	4		T - 37	44	0A4401606	V - 11	48
014760632	A - 19	2	021910302	H - 16	16	062300816	T - 13	44	0A5401006	T - 42	44
	A - 24	2	025030136	N - 26	28		T - 15	44		T - 44	44
	B - 16	4	025040132	C - 9	6		T - 18	44		T - 46	44
	B - 23	4		R - 37	36		Z - 50	52		T - 48	44
	B - 25	4		R - 41	36	062400612	J - 11	18		T - 50	44
	C - 26	6	025050236	Z - 18	52		J - 13	18	0B0452006	U - 10	46
	D - 6	8	025060132	F - 50	12		M - 61	24	100022005	B - 36	4
	D - 8	8	025060232	C - 20	6		M - 64	26	100032004	A - 14	2
	D - 12	8		G - 3	14	062400616	P - 18	32	100242003	F - 56	12
	F - 10	12		J - 2	18	062400816	E - 2	11	100250001	B - 2	4
	F - 13	12	025080336	S1 - 14	40		P - 16	32	100402004	N - 69	30
	F - 27	12	025350132	M - 6	24	062500616	P - 21	32	100644005	K - 7	20
	F - 34	12		M - 47	24	062670412	W - 11	50		Q - 30	34
	F - 39	12		T - 30	44	062670512	M - 11	24	100645003	N - 14	28
	F - 54	12		T - 33	44		M - 53	24		N - 18	28
	H - 2	16	025680132	A - 6	2		M - 75	26	101118001	Z - 16	52
	J - 9	18		G - 27	14	062670612	L - 9	22	101671002	J - 8	18
	K - 2	20		G - 30	14		M - 5	24		W - 14	50
	N - 5	28		Q - 21	34		M - 24	24	102630001	H - 8	16
	N - 10	28		Q - 55	34		M - 46	24	104449001	A - 3	2
	Q - 3	34		Q - 62	34		N - 23	28		A - 29	2
	R - 9	36		W - 15	50		N - 36	28		A - 32	2
	R - 15	36	026030233	Z - 51	52		T - 32	44		A - 36	2
014761030	B - 35	4	026040236	P - 19	32	062670712	Q - 11	34		A - 41	2
014770632	B - 3	4		T - 27	44	062670812	T - 29	44		Z - 17	52
	B - 4	4	028030243	Z - 52	52	062671212	F - 49	12	104450101	A - 11	2
	F - 2	12	028030246	Q - 35	34	062671612	R - 64	38		A - 20	2
	H - 26	16	028050242	F - 18	12	062680512	R - 19	36		A - 33	2
	L - 5	22	028050243	Q - 57	34		R - 66	38		A - 34	2
014780632	H - 6	16		Z - 33	52		W - 8	50		A - 35	2
018061032	F - 4	12	028050247	V - 3	48	062680612	A - 5	2		A - 37	2
018061036	Z - 62	52	028080242	H - 42	16		M - 13	24		A - 38	2
018061632	C - 19	6	028080246	Z - 14	52		M - 30	24		A - 39	2
	Q - 51	34	028680242	G - 40	14		M - 57	24		A - 40	2
	Q - 63	34		Q - 39	34		N - 19	28	104521001	L - 4	22
018062032	D - 14	8	037401415	Z - 5	52		Q - 22	34	105130001	G - 42	14
018102536	C - 15	6	048030342	R - 5	36	062680712	M - 27	24	105161004	Q - 15	34
018300636	N - 25	28	048040342	P - 7	32	062680812	G - 26	14		W - 12	50
018300836	Q - 33	34		Q - 49	34		M - 8	24	105237002	R - 70	38
018400636	Z - 61	52	048060142	F - 51	12	062681012	B - 31	4	105970001	R - 56	36
018400832	F - 8	12	048060342	A - 18	2	062710612	Z - 54	52	106436001	M - 48	24
018400836	T - 26	44		F - 33	12	062710812	H - 44	16	106629002	R - 57	36
018401032	T - 2	44		N - 8	28	062711012	A - 2	2	107093002	Q - 37	34
018401232	T - 4	44		P - 10	32		A - 8	2	107149001	M - 49	24
	T - 6	44	048080142	H - 35	16	062711212	D - 3	8	107401001	G - 51+	14
018402036	C - 8	6	048080342	R - 8	36	062711412	H - 38	16	107404001	G - 45	14
018501032	T - 8	44	048220242	C - 25	6	062711612	A - 10	2	107639001	R - 62	36
018501232	V - 2	48	048300242	C - 17	6		D - 4	8	107744001	R - 2	36
018501236	H - 36	16	060630312	R - 35	36	062761012	G - 2	14	108265009	P - 25	32
018502032	G - 4	14	060660416	G - 20	14		H - 10	16	110027001	Q - 2	34
021080202	H - 40	16	060670412	R - 38	36	070608800	C - 24	6	110161004	F - 17	12
021080206	S1 - 15	40	060670512	N - 13	28	070688850	G - 12	14		R - 4	36

索引 / Index

CODE	REF.NO	Page	CODE	REF.NO	Page	CODE	REF.NO	Page	CODE	REF.NO	Page
110167001	R -47	36	145440001	N -49	28	159761002	Ga2 -	56	S07350002	Z -45	52
110168001	R -48	36	145446001	N -39	28	159762002	G -50+	14	S07478000	K -10	20
110215002	R -31	36		N -50	28		Ga2 -	56	S09212001	H -25	16
	R -45	36		N -62	28	159763002	Ga2 -	56	S09477001	K -18	20
110367001	B -5	4	145446002	P -23	32	159805001	N -40	28	S10174000	P -3	32
	F -12	12	145465001	B -7	4		N -51	28	S10243000	T -34	44
110494001	R -7	36	145472001	F -46	12		N -63	28	S12004000	G -18	14
110735002	G -38	14	145478101	F -30	12	159917201	N -79	30		G -23	14
111466121	F -40	12		F -35	12	159924001	R -63	36	S13595201	Z -64+	54
111865009	C -3	6		F -38	12	180721001	K -19	20	S13596201	Z -64+	54
112467002	M -3	24		R -12	36	183507001	K -20	20	S19817001	Q -6	34
112525020	Z -56	52	146000001	W -10	50	183526001	K -14	20	S23337001	Q -4	34
112751003	N -80	30	146255000	S1 -13	40	183598001	K -16	20	S23651001	C -4	6
113316001	N -76	30	146256001	S1 -12	40	200190001	S2 -4	42		C -10	6
113730001	R -22	36	148847001	Z -55	52		U -11	46		P -28	32
114483002	Z -25	52	149127001	R -20	36	218859001	T -39	44	S24250001	Z -12	52
114988001	N -58	28		R -52	36		T -51	44	S25328001	M -68	26
115188101	P -24	32	150179002	Z -32	52	220681001	U -6	46		M -80	26
115503001	H -24	16	150182000	Z -29	52	228475000	M -44	24	S25410050	P -4	32
117363001	F -21	12	150183000	Z -37	52		M -67	26	S25413101	P -11	32
	F -25	12	150382001	B -20	4		T -11	44	S25417001	P -12	32
117466100	Z -20	52	150491101	R -14	36		T -38	44	S25418101	P -13	32
117936001	A -30	2	150553003	N -34	28	525664000	T -31	44	S25420051	P -17	32
	Q -41	34	151148001	N -55	28	552907000	M -4	24	S25456001	N -30	28
118735001	D -9	8	151843001	Ga3 -	57	554482000	T -41	44	S25642001	Ga1 -	55
119101021	W -25	50	151927001	M -50	24	625010000	T -28	44	S25789000	P -6	32
119710021	W -22	50	152969001	T -36	44	BMP3010-0000000-2ST1			S30564000	N -43	28
119711021	W -23	50	153057102	H -22	16		S2 -5+	42		N -65	30
120263001	A -26	2	153483001	B -29	4	BMP3010-0000000-3ST4			S30565025	N -44	28
120265002	Z -44	52	154965001	B -27	4		S2 -6+	42		N -56	28
123185001	R -51	36	155578000	F -57	12	BMP3010-0000000-4ST4			S31012022	F -43	12
133792121	W -28	50	156612001	Ga3 -	57		S2 -6+	42	S31013022	F -44	12
133797121	W -21	50	158830001	A -21	2	BMP3010-0000001-3S00			S31032002	N -66	30
140004001	B -9	4	158831001	A -22	2		S2 -2+	42	S31808001	B -19	4
140407001	F -45	12	158832000	A -23	2	BMP3010-0000001-3ST4			S32263001	A -31	2
140430001	B -11	4	158879101	A -16	2		S2 -6+	42	S32521001	D -15	8
140518021	Z -7	52	158888001	B -22	4	J00353001	S1 -7	40	S35095000	N -3	28
140553102	B -34	4	158945001	D -18	8	J04417001	S1 -3	40	S35184001	G -19	14
141513001	Q -27	34	158946001	D -19	8	S00306001	A -13	2	S35630001	Ga1 -	55
141514001	Q -28	34	159078101	G -47	14	S00470000	T -43	44	S36114021	W -26	50
	R -40	36	159079100	Ga2 -	56		T -45	44	S36119021	W -24	50
	R -50	36	159080100	G -46	14	S00480000	M -45	24		W -29	50
141519001	R -3	36		Ga2 -	56	S00712101	R -29	36	S36120021	W -27	50
141590001	N -33	28	159081100	Ga2 -	56	S00901001	R -25	36	S36121021	W -30	50
141619001	J -6	18	159104001	H -28	16	S00903001	R -24	36	S36475000	Z -46	52
141620001	J -7	18	159113101	R -69	38	S01271001	Ga1 -	55	S36522001	W -16	50
	W -13	50	159117001	H -11	16	S01272001	Ga1 -	55		W -19	50
142990001	Z -38	52	159145001	J -5	18	S01273001	Ga1 -	55	S37059001	S1 -9	40
143966001	Z -49	52	159150000	A -27	2	S01274001	Ga1 -	55		Wa -	58
144075001	Q -14	34		A -28	2	S01275001	Ga1 -	55	S37060001	A -46	2
144103005	N -41	28	159158051	K -22	20	S01276001	Ga1 -	55		S1 -8	40
	N -52	28		Z -19	52	S01696001	R -58	36		Wa -	58
144110101	N -42	28	159193000	M -34	24	S01998001	R -60	36	S37100402	G -49+	14
144226001	Z -58	52	159221101	N -64	30	S02460001	G -24	14		Ga2 -	56
144630001	G -50+	14	159224001	N -73	30	S02563001	Q -16	34	S37101302	Ga2 -	56
	Ga2 -	56	159267001	R -6	36		Q -17	34	S37102401	G -49+	14
144632001	Ga2 -	56	159269001	R -16	36	S02747101	Z -31	52		Ga2 -	56
144707001	G -51+	14	159272001	R -23	36	S02763602	Z -27	52	S37103301	Ga2 -	56
144872101	M -9	24	159343001	Q -19	34	S03280001	Ga1 -	55	S37109302	Ga2 -	56
144874001	M -10	24	159379001	H -30	16	S03816001	S2 -3	42	S37110301	Ga2 -	56
144875001	M -1	24		R -71	38	S04159000	T -25	44	S37927000	F -55	12
145136001	Ga2 -	56		R -74	38	S06139001	W -6	50	S37940001	D -2	8
145371001	R -44	36	159625001	D -17	8	S06140001	W -7	50	S38145000	T -49	44

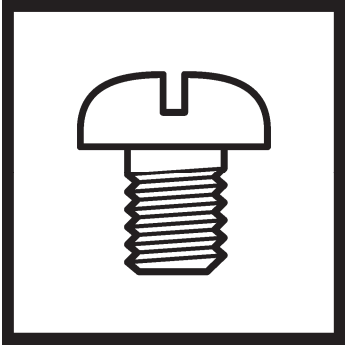
CODE	REF.NO	Page	CODE	REF.NO	Page	CODE	REF.NO	Page	CODE	REF.NO	Page
S38735001	L - 7	22	S50226001	K - 1	20	S50335000	Z - 8	52	S50513100	M - 83	26
S38736301	P - 22	32	S50230001	K - 6	20	S50336000	Z - 9	52	S50514100	M - 84	26
S38761201	F - 22	12	S50231200	K - 9	20	S50337000	Z - 10	52	S50516101	M - 23	24
	F - 29	12	S50232000	K - 8	20	S50338000	Z - 11	52	S50517001	M - 26	24
S42116000	F - 6	12	S50233001	K - 12	20	S50339001	Z - 15	52	S50518000	M - 28	24
S43675000	U - 12	46	S50236001	K - 15	20	S50340000	A - 25	2	S50519000	M - 29	24
S43717301	F - 1	12	S50240001	L - 1	22	S50341001	W - 4	50	S50520000	M - 31	24
S50111100	K - 13	20	S50243101	L - 6	22	S50342000	Z - 13	52	S50521000	M - 32	24
S50113101	Q - 26	34	S50245001	L - 8	22	S50350001	W - 17	50	S50522000	M - 35	24
S50126002	A - 7	2	S50246001	R - 1	36	S50351001	W - 20	50	S50524000	M - 37	24
S50128302	A - 12	2	S50247101	R - 10	36	S50356001	M - 7	24	S50525000	M - 38	24
S50131001	A - 42	2	S50248101	R - 13	36	S50359001	M - 12	24	S50527000	M - 39	24
S50132000	B - 1	4	S50249201	R - 17	36	S50362101	H - 37	16	S50529000	M - 40	24
S50136101	B - 8	4	S50252001	R - 21	36	S50363000	H - 39	16	S50531000	M - 42	24
S50142000	B - 13	4	S50253001	R - 27	36	S50364001	H - 41	16	S50532000	M - 43	24
S50143001	B - 21	4	S50257001	R - 28	36	S50365101	H - 43	16	S50533000	M - 51	24
S50147001	B - 24	4	S50258201	R - 30	36	S50366001	H - 31	16	S50536001	M - 52	24
S50149101	B - 33	4	S50259101	R - 32	36	S50368001	N - 1	28	S50537000	M - 54	24
S50150001	B - 18	4	S50260101	R - 33	36	S50369001	N - 2	28		M - 70	26
S50152001	B - 26	4	S50263001	R - 34	36	S50370001	N - 6	28	S50538001	M - 33	24
S50153201	B - 28	4	S50264000	R - 36	36	S50371101	N - 9	28	S50539000	M - 55	24
S50161000	C - 11	6	S50265001	R - 39	36	S50372101	N - 11	28	S50541001	M - 58	24
S50163001	C - 12	6	S50269000	R - 42	36	S50373101	N - 12	28	S50542001	M - 60	24
S50164001	C - 13	6	S50270000	R - 43	36	S50374001	N - 15	28	S50543001	M - 62	24
S50165001	C - 14	6	S50271000	B - 12	4	S50375001	N - 16	28	S50544000	M - 63	24
S50167001	C - 22	6	S50273000	J - 1	18	S50376101	N - 17	28	S50545000	M - 66	26
S50168001	C - 23	6	S50274001	J - 10	18		N - 32	28	S50546000	M - 69	26
S50171001	D - 7	8	S50275001	J - 12	18	S50377001	N - 22	28	S50547000	M - 65	26
S50174001	D - 13	8	S50276101	P - 1	32	S50378001	N - 24	28	S50548001	M - 71	26
S50178001	D - 16	8	S50279101	P - 8	32	S50380000	N - 27	28	S50549000	M - 73	26
S50182002	E - 1	10	S50280001	P - 15	32	S50382101	N - 31	28	S50550001	M - 74	26
S50183101	F - 3	12	S50282000	P - 14	32	S50383001	N - 35	28	S50551001	M - 76	26
S50184001	F - 5	12	S50284101	H - 3	16	S50384101	N - 46	28	S50552000	M - 78	26
S50185001	F - 7	12	S50286101	H - 4	16		N - 71	30	S50556000	M - 16	24
S50186001	F - 9	12	S50287001	H - 5	16	S50385001	N - 47	28	S50557000	M - 21	24
S50187001	F - 11	12	S50288001	H - 7	16	S50386101	N - 53	28	S50558000	M - 22	24
S50189001	F - 14	12	S50290001	H - 12	16	S50387001	N - 54	28	S50559001	M - 19	24
S50190001	F - 15	12	S50291001	H - 13	16	S50388001	N - 57	28	S50562101	G - 44	14
S50191001	F - 16	12	S50292001	H - 14	16	S50389001	N - 59	28	S50563000	M - 17	24
S50192101	F - 19	12	S50293001	H - 15	16	S50390101	N - 68	30	S50565001	T - 40	44
	F - 23	12	S50294001	H - 17	16	S50391001	N - 61	28	S50663001	Ga3 -	57
S50193001	F - 26	12	S50295001	H - 19	16	S50392001	N - 74	30	S50664001	R - 76+	38
S50195001	F - 28	12	S50296001	H - 21	16	S50393000	N - 78	30		Ga3 -	57
S50196001	F - 31	12	S50297001	H - 45	16	S50394001	Q - 1	34	S50665001	Ga3 -	57
S50198001	F - 36	12		W - 3	50	S50395201	Q - 7	34	S51020000	M - 79	26
S50199101	F - 37	12	S50303301	R - 54	36	S50398001	Q - 8	34	S51117001	Ga1 -	55
S50200001	F - 42	12	S50304001	W - 1+	50	S50399101	Q - 9	34	S51182502	N - 60	28
S50201001	F - 47	12	S50309001	W - 1+	50	S50400001	Q - 10	34	S51183102	N - 48	28
S50202001	F - 48	12	S50311001	W - 1+	50	S50401001	Q - 12	34	S51184202	N - 37	28
S50203101	F - 52	12	S50313101	W - 2+	50	S50403101	Q - 18	34	S51190001	D - 11	8
S50204001	F - 53	12	S50317101	W - 2+	50	S50404401	Q - 24	34	S51248101	R - 76+	38
S50211101	G - 13	14	S50319101	W - 2+	50	S50405301	Q - 25	34		Ga3 -	57
S50214001	G - 21	14	S50321001	Ga3 -	57	S50410101	Q - 40	34	S51249101	Ga3 -	57
S50215101	G - 25	14	S50322101	Ga3 -	57	S50411101	Q - 42	34	S51250101	Ga3 -	57
S50216101	G - 31	14	S50323000	R - 59	36		R - 11	36	S51282101	Z - 30	52
S50217001	G - 33	14	S50324001	R - 61	36	S50412000	Q - 43	34	S51283001	Z - 28	52
S50218101	G - 34	14	S50325001	R - 67	38	S50413101	Q - 44	34	S51290001	Z - 21	52
S50219101	G - 35	14	S50326001	R - 68	38	S50414001	Q - 46	34		Ga1 -	55
S50220001	G - 48+	14	S50327001	R - 72	38	S50415001	Q - 47	34	S51351001	Ga1 -	55
S50221101	G - 41	14	S50328001	R - 73	38	S50416001	Q - 48	34	S51352001	H - 23	16
S50222001	G - 43	14	S50329000	R - 75	38	S50476001	W - 18	50		Ga1 -	55
S50223100	G - 28	14	S50332000	Z - 2	52	S50477001	W - 5	50	S51353001	Ga1 -	55
S50225001	G - 48+	14	S50334000	Z - 4	52	S50511101	Q - 59	34	S51354001	Z - 22	52

索引 / Index

CODE	REF.NO	Page	CODE	REF.NO	Page	CODE	REF.NO	Page	CODE	REF.NO	Page
S51354001	Ga1 -	55	SA6607001	Z -36	52	SB2256001	Q -38	34	SB4103001	T -52	44
S51355001	Ga1 -	55	SA6609001	Z -39	52		W -9	50			
S51356001	Ga1 -	55	SA7293001	T -24	44	SB2356001	A -17	2			
S51357001	Ga1 -	55	SA7402001	K -5	20		F -32	12			
S51358001	Ga1 -	55	SA7607101	F -41	12		P -9	32			
S51359001	Ga1 -	55	SA8126001	K -21	20	SB2456001	J -3	18			
S51360001	Ga1 -	55	SA9058001	N -67	30	SB3301001	S1 -5	40			
S52248001	B -17	4	SA9138101	K -17	20	SB3319001	H -27	16			
S52431000	Q -29	34	SA9160002	Z -59	52	SB3332001	S1 -1	40			
S52433001	R -46	36	SA9161001	Z -60	52	SB3353001	C -5	6			
S52434001	R -49	36	SA9165001	Q -13	34	SB3354001	C -7	6			
S52761101	Q -5	34	SA9166001	Q -31	34	SB3355001	C -6	6			
S52763000	M -36	24	SA9167101	Q -32	34	SB3356001	C -21	6			
S52764001	M -2	24	SA9168001	Q -34	34	SB3357001	L -2	22			
S52770000	R -55	36	SA9169001	Q -52	34	SB3360001	Z -1	52			
S52778301	R -53	36	SA9170001	Q -53	34	SB3361001	Z -26	52			
S52943201	B -10	4	SA9171001	Q -60	34	SB3381001	T -9	44			
S54741001	K -11	20	SA9172001	Q -56	34	SB3382001	T -7	44			
S54767000	Z -57	52	SA9254011	Z -63+	54	SB3383001	T -14	44			
S54768001	Z -3	52	SA9254014	Z -63+	54	SB3384001	T -12	44			
S55345002	Ga2 -	56	SA9436001	V -4	48	SB3385101	T -17	44			
S55347302	Ga2 -	56	SA9447001	V -9	48	SB3394001	S1 -2	40			
S55348001	Ga2 -	56	SA9448001	V -10	48	SB3400101	U -1	46			
S55350301	Ga2 -	56	SA9449001	V -13	48	SB3402001	U -2	46			
S55663101	Z -23	52	SA9500101	S1 -4	40	SB3642001	V -5	48			
S55975001	N -72	30	SA9535001	S2 -2+	42	SB3645001	V -7	48			
S56391001	K -3	20	SA9559001	S1 -16	40	SB3676001	T -5	44			
S59890001	G -14	14	SA9564001	S1 -17	40	SB3677001	T -1	44			
	G -29	14	SA9565001	S1 -18	40	SB3678001	T -3	44			
S59891001	H -20	16	SA9602001	S1 -6	40	SB3679001	H -1	16			
S59892001	G -37	14	SA9616001	S2 -1+	42	SB3682001	H -33	16			
S59893001	G -36	14	SA9725001	S1 -10	40	SB3685001	C -1	6			
	G -39	14		Wa -	58	SB3687001	C -27	6			
	H -18	16	SA9826001	A -43	2	SB3690001	G -6	14			
	Q -54	34		Wa -	58		G -9	14			
	Q -61	34	SA9831001	S2 -1+	42	SB3691001	G -11	14			
S59894001	G -22	14	SA9856001	V -18	48	SB3692001	G -1	14			
S59987101	R -18	36	SA9865001	T -21	44	SB3693001	G -16	14			
SA0990001	N -28	28	SA9866001	T -22	44	SB3694001	G -15	14			
SA0992001	N -29	28	SA9867001	T -23	44	SB3695001	A -1	2			
SA2161001	H -34	16	SA9914001	S2 -7	42	SB3698001	D -10	8			
SA2385001	H -9	16		Wa -	58	SB3699001	D -5	8			
SA2921101	B -32	4	SA9957001	A -44	2	SB3700101	V -16	48			
SA3001001	F -20	12		Wa -	58	SB3719001	G -8	14			
	F -24	12	SA9957002	A -45	2	SB3721001	Z -42	52			
	R -26	36		Wa -	58	SB3726001	P -27	32			
SA3025001	V -17	48	SB0051001	M -41	24	SB3727001	M -85	26			
	Z -47	52	SB0548001	K -23	20	SB3729001	T -20	44			
SA3035001	N -81	30	SB0549001	K -24	20	SB3732001	M -56	24			
SA3299001	P -20	32	SB0553001	U -5	46	SB3733001	M -14	24			
SA4047601	B -6	4	SB0566001	U -7	46	SB3734001	M -25	24			
SA4063001	M -18	24	SB0567101	U -8	46	SB3739001	T -16	44			
SA4065001	C -2	6	SB1229001	S2 -5+	42	SB3742001	T -19	44			
SA4066001	M -81	26	SB1248001	B -15	4	SB3743001	P -2	32			
SA4067001	M -82	26	SB1304001	Z -48	52	SB3748001	Z -43	52			
SA4206102	A -4	2	SB1504001	Z -24	52	SB3751101	Z -41	52			
SA4232001	N -38	28		Wa -	59	SB3754001	U -3	46			
SA4233001	N -45	28	SB1539001	B -14	4	SB3766001	A -9	2			
SA5824101	S1 -11	40	SB1565001	W -32+	50	SB3809001	D -1	8			
SA6113001	N -21	28	SB15660E1	W -32+	50	SB3918001	T -47	44			
SA6495101	W -31+	50	SB1570001	V -15	48	SB3924001	U -4	46			
SA64951E1	W -31+	50	SB2256001	N -20	28	SB4013001	H -32	16			
SA6607001	Z -35	52		Q -23	34	SB4059001	V -1	48			

MEMO

Suote



零件手册
PARTS BOOK